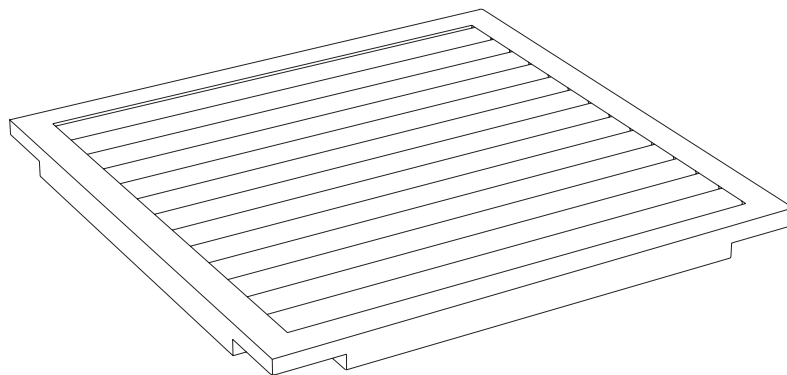


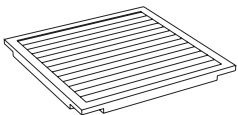
BLUFF COLLECTION



In-line Coffee Table

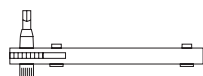


Parts



1x Top

Hardware



1x Hex Ratchet

Packaged separately



Leg 1
(for the end of module)

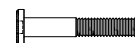


Leg 2
(for connecting two modules)



Leg 3
(for connecting three modules)

(Quantity dependent on configuration)



35mm Hex Bolt

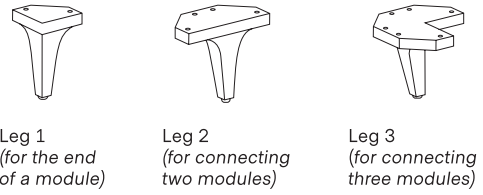
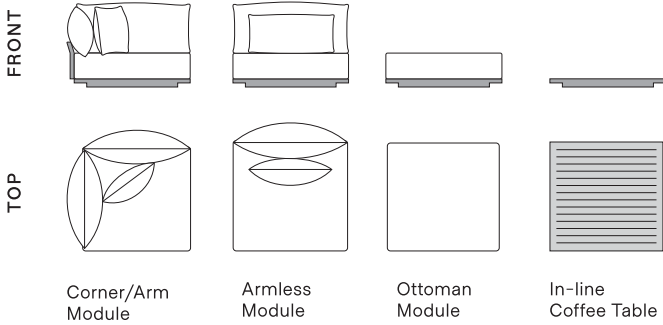
(Quantity dependent on configuration)

Bluff's four modular components and three interchangeable legs are designed to let you configure your own perfect outdoor seating, with the option to add or change over time.

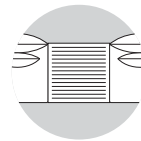
Lounge Modules

Table Modules

Legs



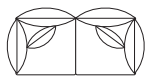
Start with one of our most popular configurations or create your own.



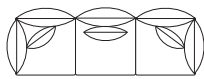
Easily replace any seating module with an in-line table or ottoman module.

 Indicates module in this box

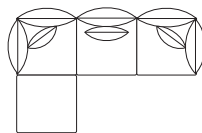
Loveseat



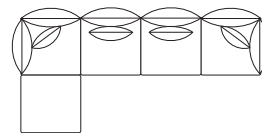
Sofa



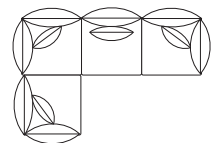
Sofa + Chaise



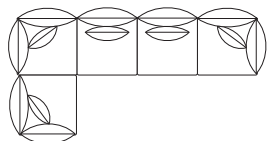
4-Piece Sofa + Chaise



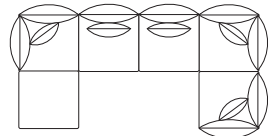
4-Piece Sectional



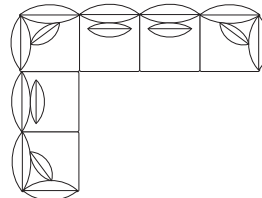
5-Piece Sectional



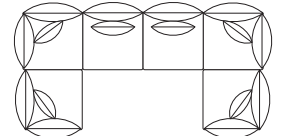
5-Piece Sectional + Chaise



6-Piece Sectional



6-Piece U-Shaped Sectional

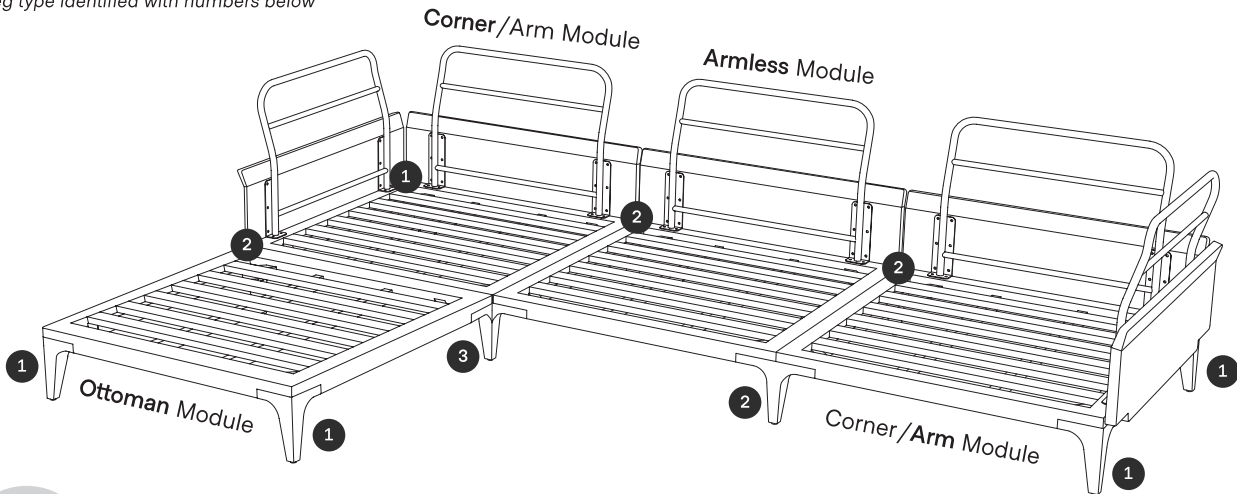


Don't see the configuration you're looking for? Reach out at support@hineighbor.com or (480) 771-4344

Assembly Guide

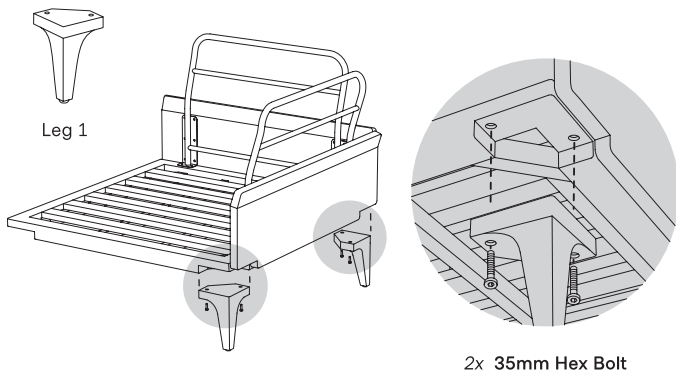
- ⚠ Do NOT use a drill while assembling
- Assemble all parts on a soft surface

Example of fully assembled configuration
 Leg type identified with numbers below

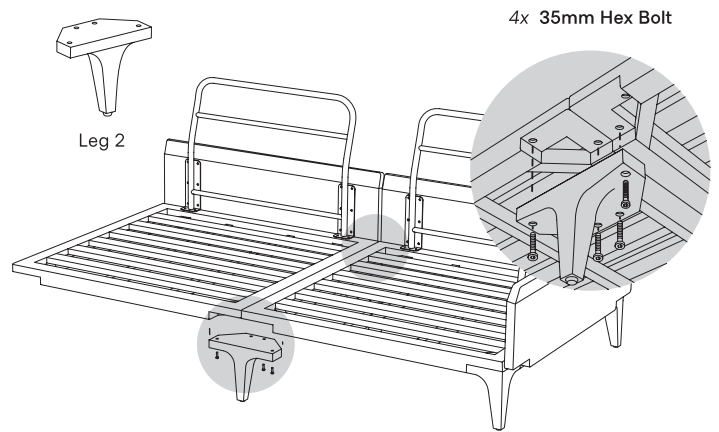


Easily replace any seating module with an in-line table or ottoman module.

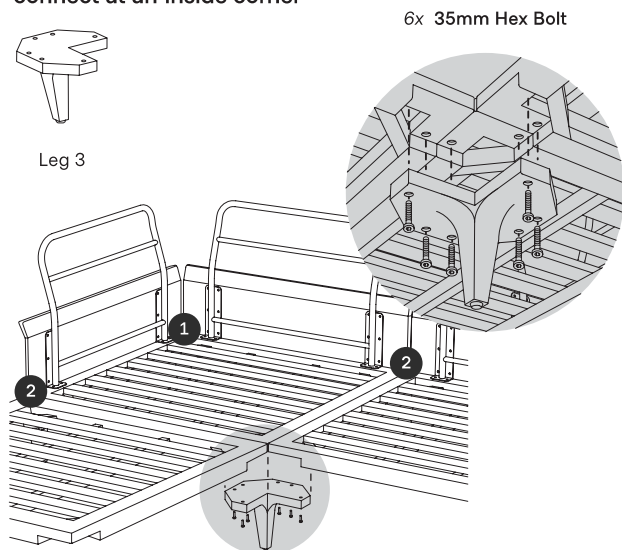
Attach Leg 1 wherever module ends



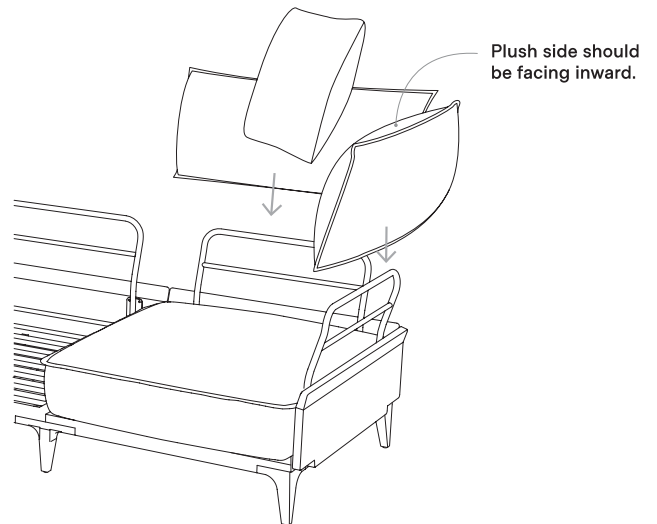
Attach Leg 2 wherever two modules connect



Attach Leg 3 wherever three modules connect at an inside corner



Once configuration is fully assembled, place Seat Cushions and secure to frame with velcro straps. Slide on Arm and Back Cushions with plush side facing inward.



Have questions, comments, or feedback? Reach out at support@hineighbor.com or (480) 771-4344