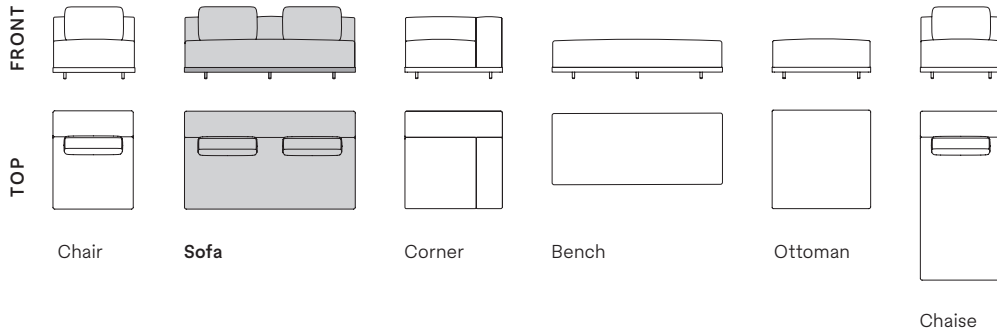


# Workaround Sofa

Workaround's modular components are designed to let you configure your own perfect outdoor seating. Easy to assemble and add to over time.

## Seating Modules

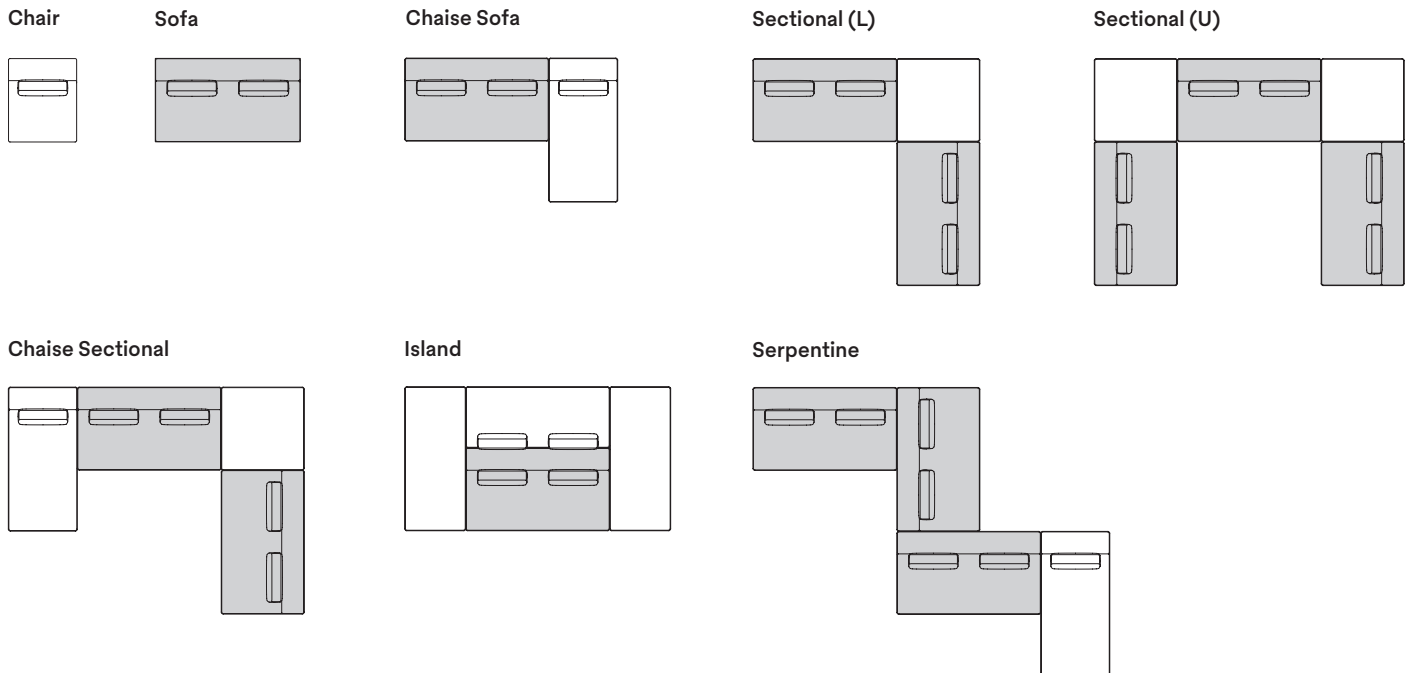


Start with one of our popular configurations or create your own.

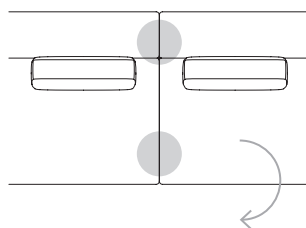
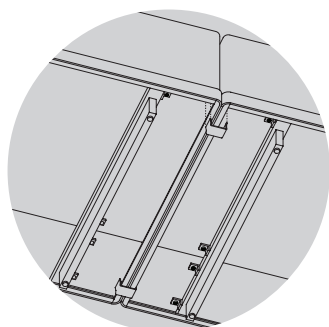


Indicates seat module in this box

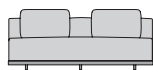
Don't see the configuration you're looking for? Reach out at [support@hineighbor.com](mailto:support@hineighbor.com)



## When connecting modules

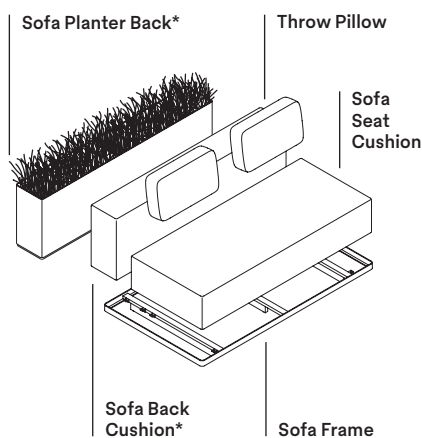


Snap Joining Clip to Frames where adjacent modules meet underneath.



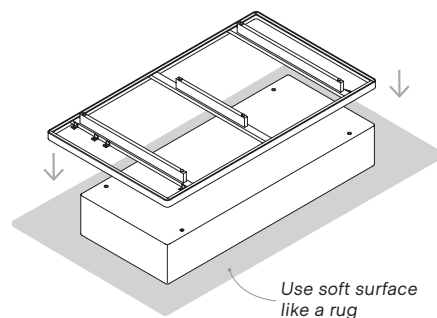
# Workaround Sofa

## How it all fits together

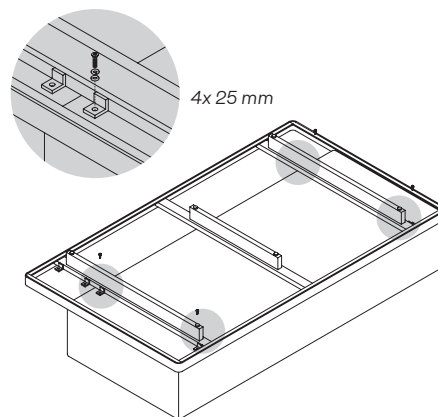


\*Choose either the Sofa Back Cushion or Sofa Planter Back—both install the same way.

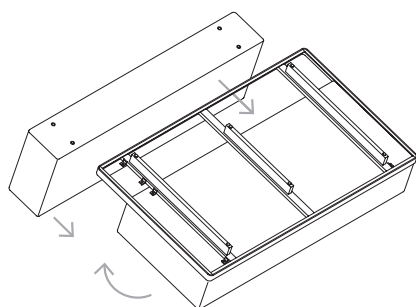
- 1 On a soft surface, gently lay Sofa Seat Cushion upside down. Then, lower Sofa Frame on top.  
**Sofa Seat Cushion, Sofa Frame, and a soft surface**



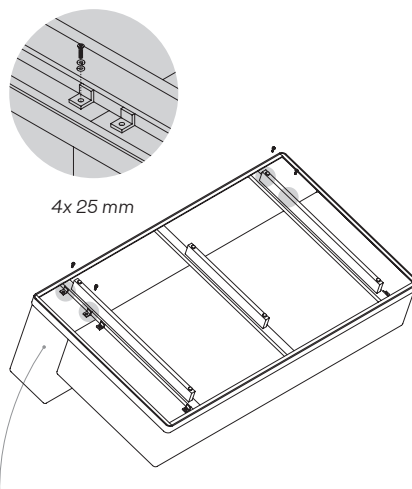
- 2 Attach Sofa Frame to bottom of Sofa Seat Cushion.  
**4x 25 mm Hex Bolts, 4x Spring Washers, and 4x Flat Washers**



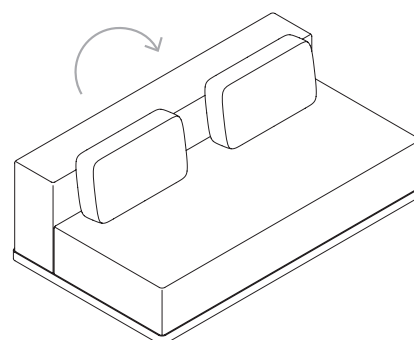
- 3 With help from a friend, gently tip Sofa Seat Cushion and Sofa Frame up and place Back Cushion or Planter Back under Frame.  
**Sofa Back Cushion/Sofa Planter Back**



- 4 Attach Sofa Frame to bottom of Sofa Back Cushion/Sofa Planter Back.  
**4x 25 mm Hex Bolts, 4x Spring Washers, and 4x Flat Washers**



- 5 With help from a friend, flip over, and place Throw Pillows. Enjoy!

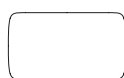


**TIP** With help from a friend, keep bottom of Sofa Back Cushion/Sofa Planter Back and Frame as parallel as possible when attaching. This will ensure an easier and more secure attachment.

## Parts (packed in separate boxes)



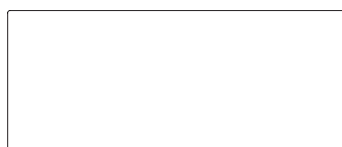
1x Sofa Frame



2x Throw Pillow



1x Sofa Back Cushion/Sofa Planter Back



1x Sofa Seat Cushion

## Hardware



8x 25 mm Hex Bolt



2x Joining Clip



8x Flat Washer



8x Spring Washer



1x Hex Ratchet