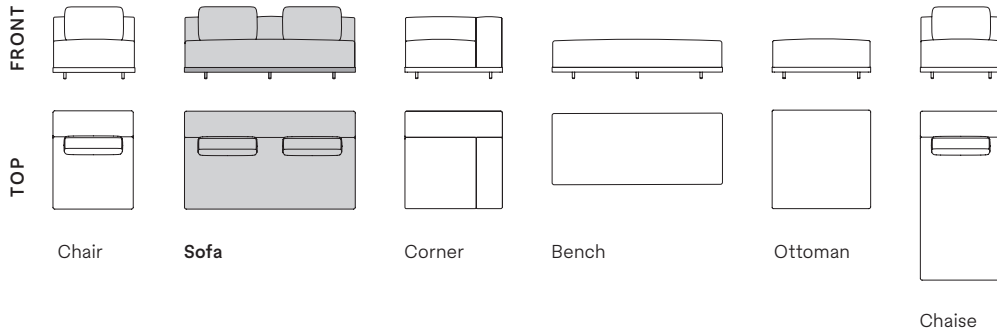


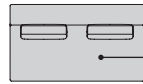
Workaround Sofa

Workaround's modular components are designed to let you configure your own perfect outdoor seating. Easy to assemble and add to over time.

Seating Modules

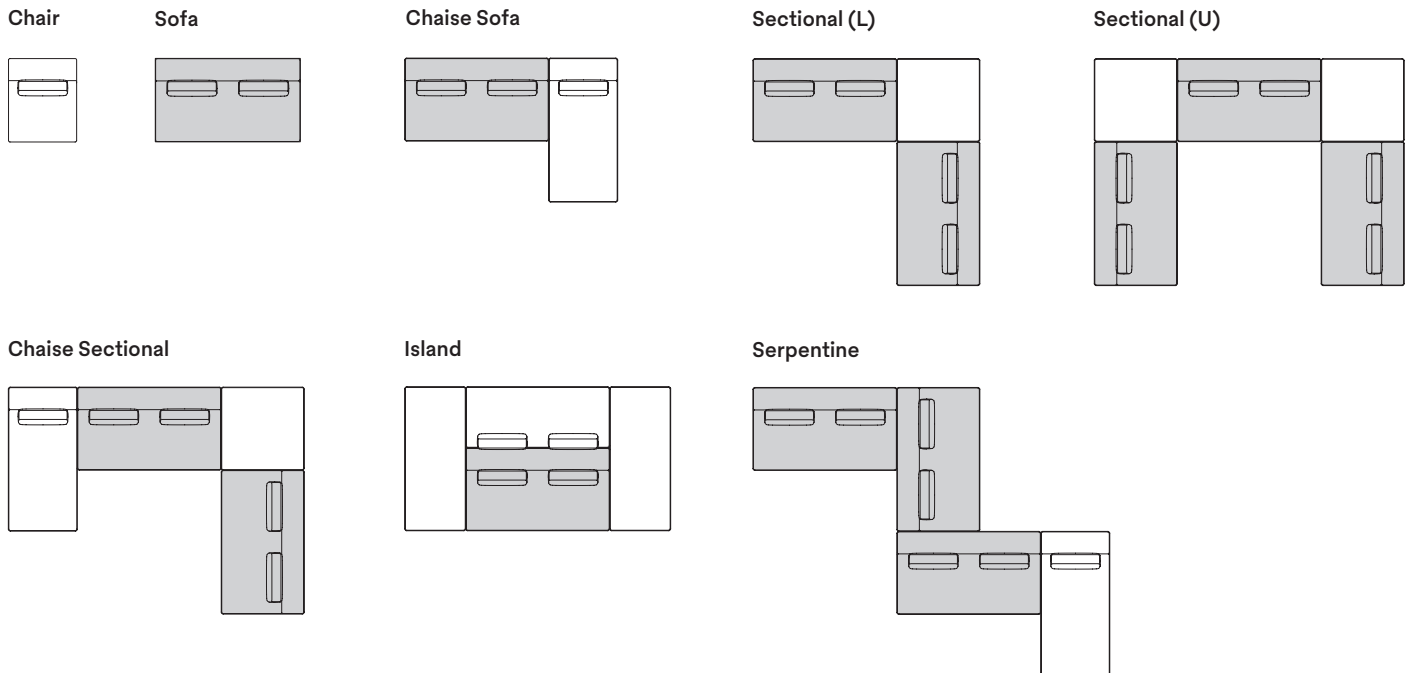


Start with one of our popular configurations or create your own.

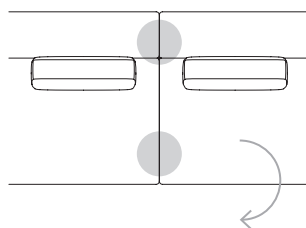
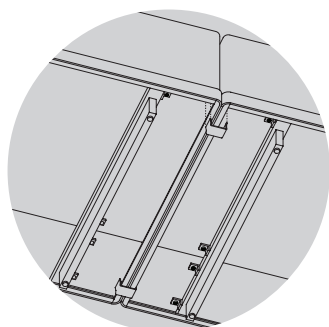


Indicates seat module in this box

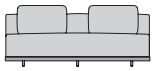
Don't see the configuration you're looking for? Reach out at support@hineighbor.com



When connecting modules

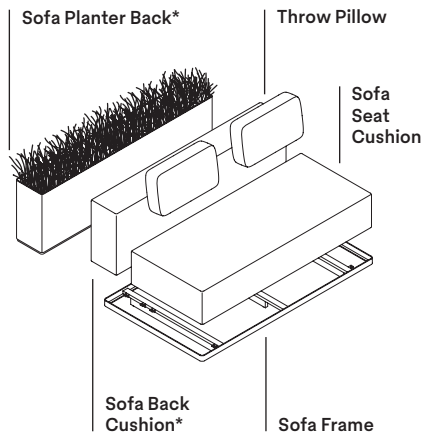


Snap Joining Clip to Frames where adjacent modules meet underneath.



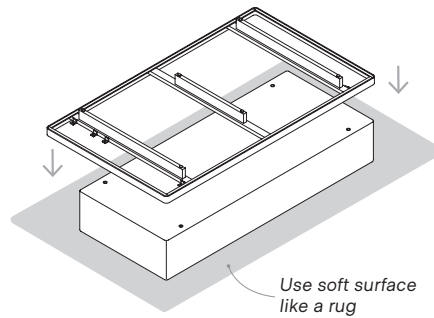
Workaround Sofa

How it all fits together

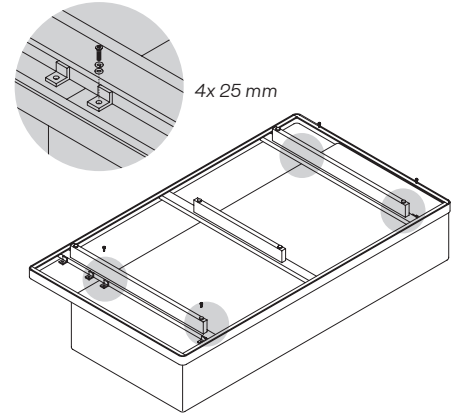


*Choose either the Sofa Back Cushion or Sofa Planter Back—both install the same way.

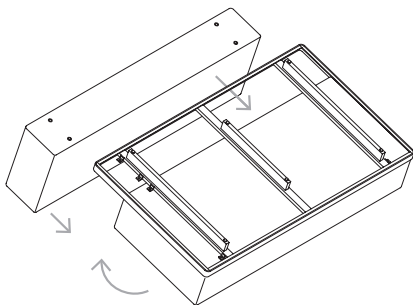
- 1 On a soft surface, gently lay Sofa Seat Cushion upside down. Then, lower Sofa Frame on top.
Sofa Seat Cushion, Sofa Frame, and a soft surface



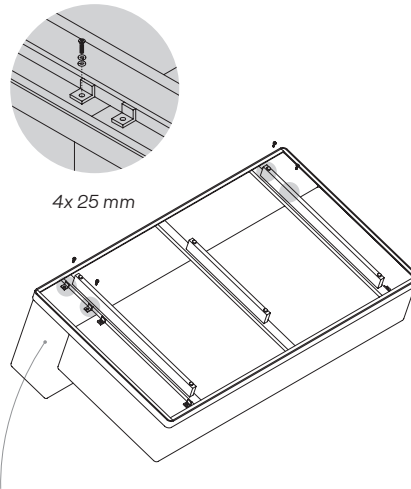
- 2 Attach Sofa Frame to bottom of Sofa Seat Cushion.
4x 25 mm Hex Bolts, 4x Spring Washers, and 4x Flat Washers



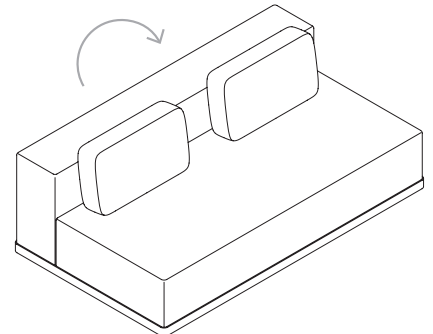
- 3 With help from a friend, gently tip Sofa Seat Cushion and Sofa Frame up and place Back Cushion or Planter Back under Frame.
Sofa Back Cushion/Sofa Planter Back



- 4 Attach Sofa Frame to bottom of Sofa Back Cushion/Sofa Planter Back.
4x 25 mm Hex Bolts, 4x Spring Washers, and 4x Flat Washers

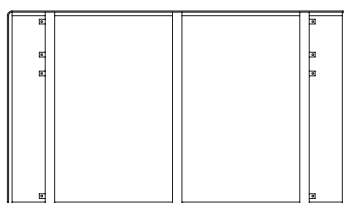


- 5 With help from a friend, flip over, and place Throw Pillows. Enjoy!

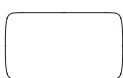


TIP With help from a friend, keep bottom of Sofa Back Cushion/Sofa Planter Back and Frame as parallel as possible when attaching. This will ensure an easier and more secure attachment.

Parts (packed in separate boxes)



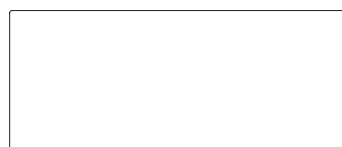
1x Sofa Frame



2x Throw Pillow



1x Sofa Back Cushion/Sofa Planter Back



1x Sofa Seat Cushion

Hardware



8x 25 mm Hex Bolt



2x Joining Clip



8x Flat Washer



8x Spring Washer



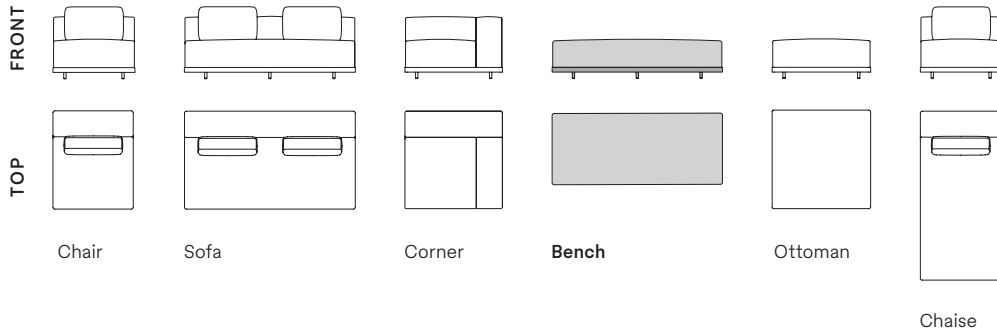
1x Hex Ratchet



Workaround Bench

Workaround's modular components are designed to let you configure your own perfect outdoor seating. Easy to assemble and add to over time.

Seating Modules

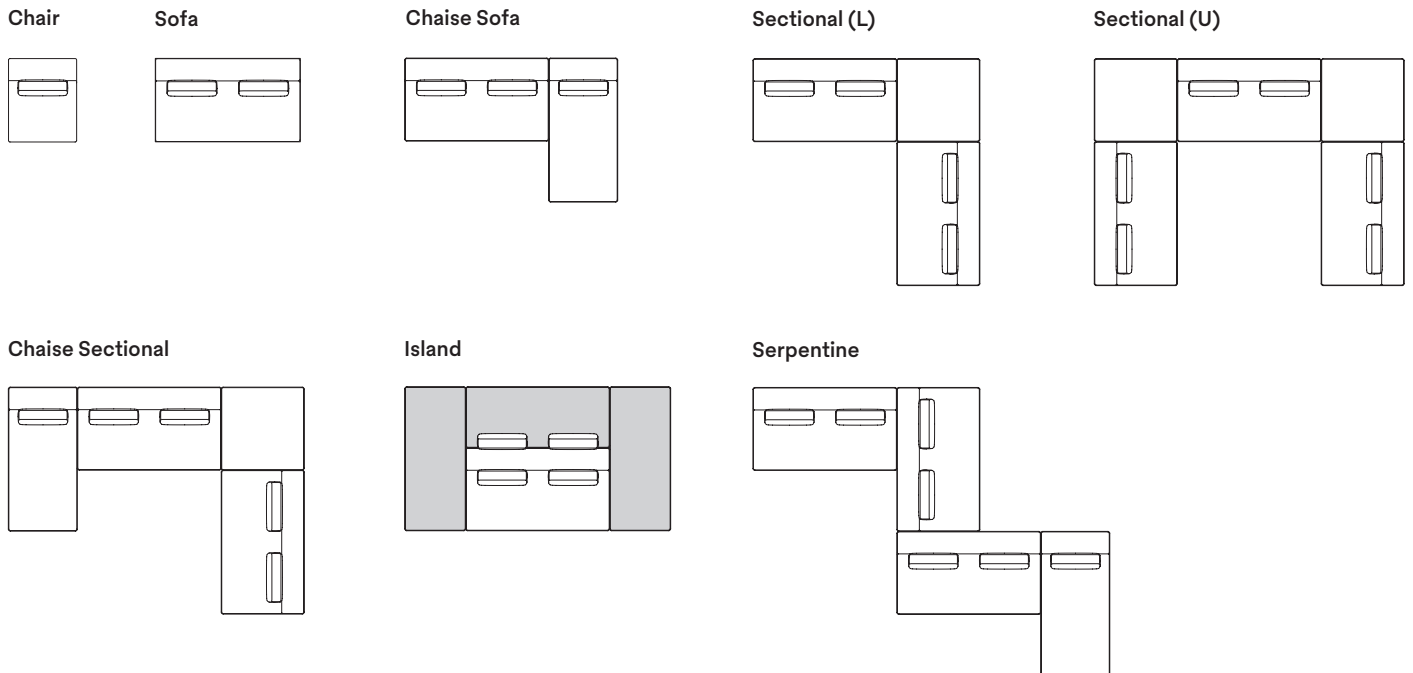


Start with one of our popular configurations or create your own.

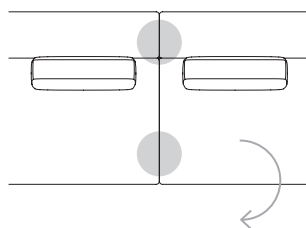
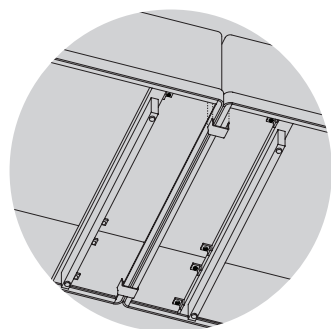


Indicates the module with parts found in this box

Don't see the configuration you're looking for? Reach out at support@hineighbor.com



When connecting modules



Snap Joining Clip to Frames where adjacent modules meet underneath.

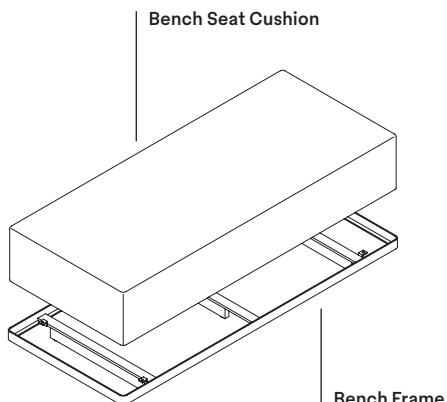


Workaround Bench



- Do NOT use a drill while assembling
- Assemble all parts on a soft surface
- Do not fully tighten bolts until final step

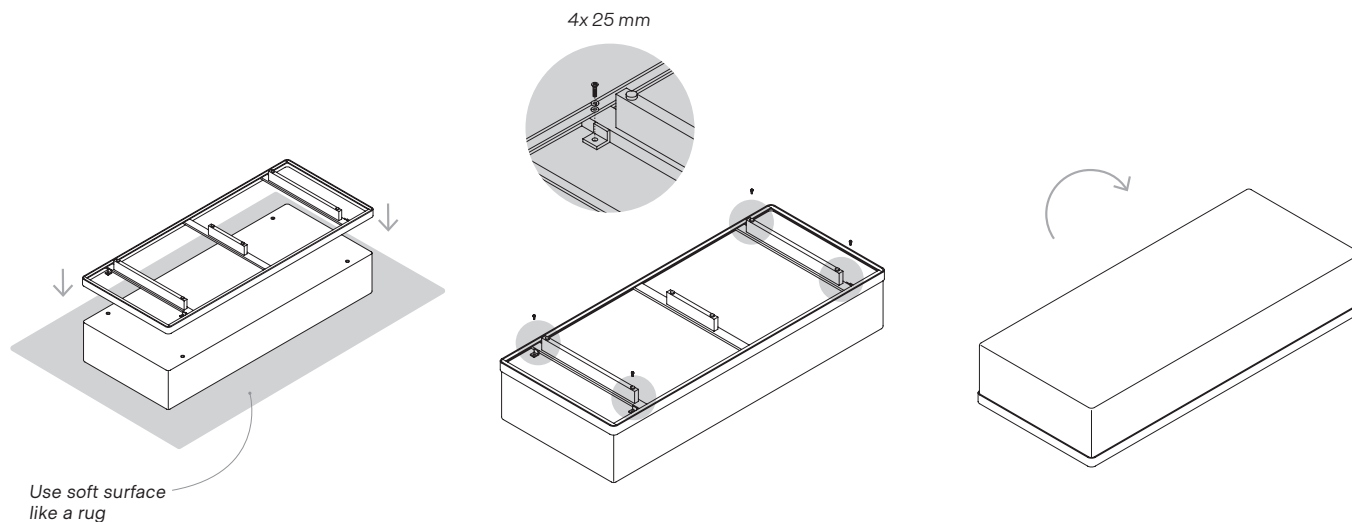
How it all fits together



- 1 On a soft surface, gently lay Bench Seat Cushion upside down. Then, lower Bench Frame on top.
Bench Seat Cushion, Bench Frame, and a soft surface

- 2 Attach Bench Frame to bottom of Bench Seat Cushion.
4x 25 mm Hex Bolts, 4x Spring Washers, and 4x Flat Washers

- 3 With help from a friend, flip over, and enjoy!



Parts (packed in separate boxes)



1x Bench Frame



1x Bench Seat Cushion

Hardware



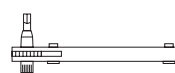
4x 25mm Hex Bolt



4x Flat Washer



4x Spring Washer



1x Hex Ratchet



2x Joining Clip