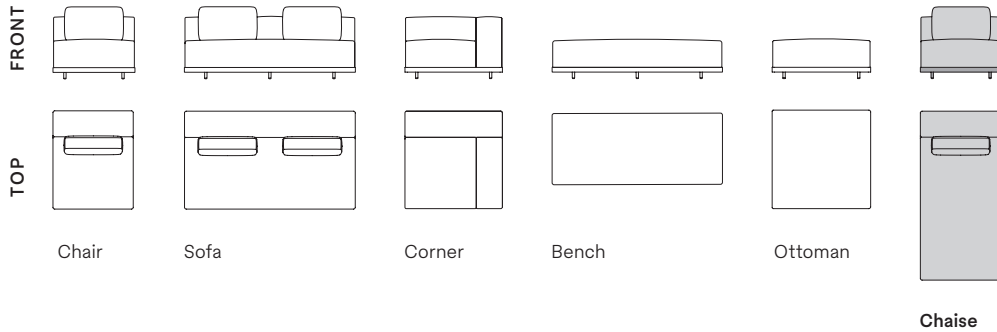




Workaround Chaise

Workaround's modular components are designed to let you configure your own perfect outdoor seating. Easy to assemble and add to over time.

Seating Modules

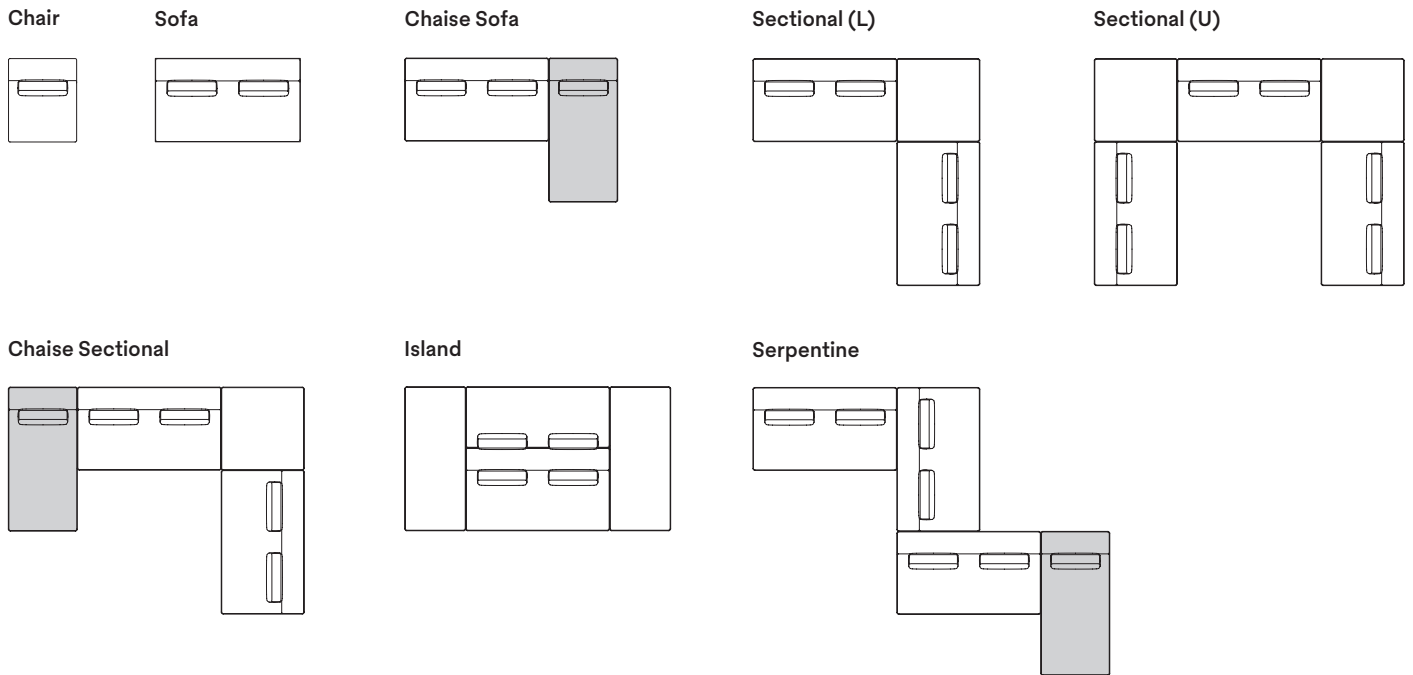


Start with one of our popular configurations or create your own.

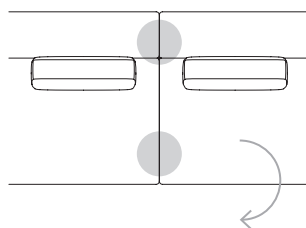
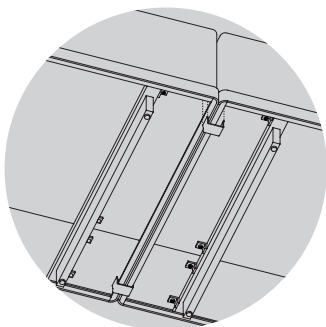


Indicates the module with parts found in this box

Don't see the configuration you're looking for? Reach out at support@hineighbor.com



When connecting modules



Snap Joining Clip to Frames where adjacent modules meet underneath.

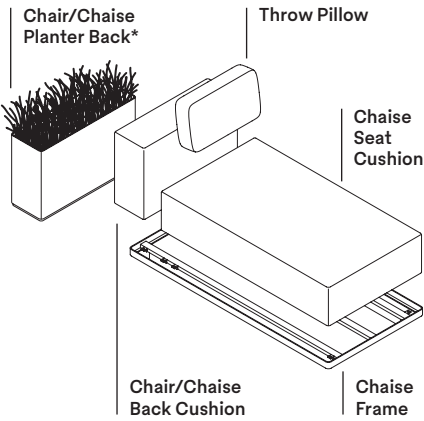


Workaround Chaise



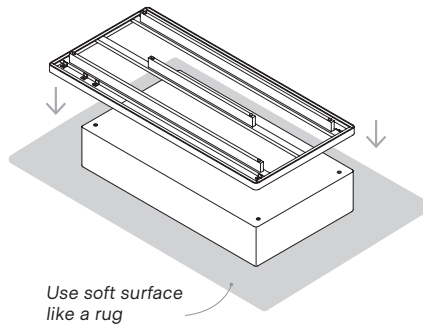
- Do NOT use a drill while assembling
- Assemble all parts on a soft surface
- Do not fully tighten bolts until final step

How it all fits together

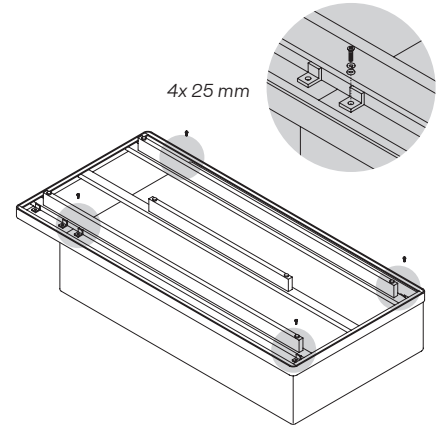


*Choose either the Back Cushion or Planter Back—both install the same way.

- 1** On a soft surface, gently lay Chaise Seat Cushion upside down. Then, lower Chaise Frame on top.
Chaise Cushion, Chaise Frame, and a soft surface

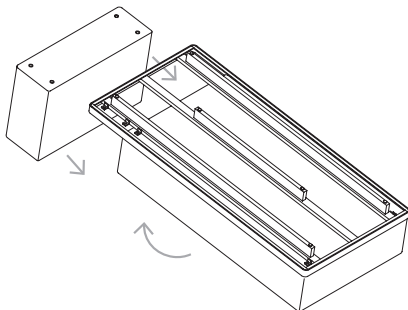


- 2** Attach Chaise Frame to bottom of Chaise Seat Cushion.
4x 25 mm Hex Bolts, 4x Spring Washers, and 4x Flat Washers

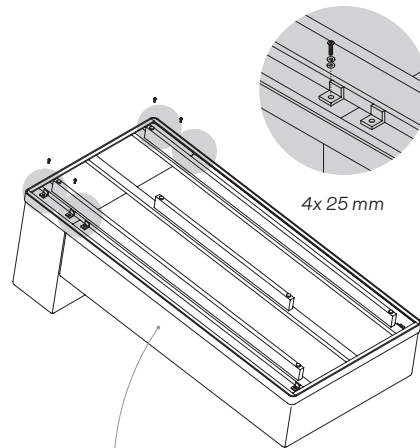


- 3** With help from a friend, gently tip Chaise Cushion and Chaise Frame up and place Back Cushion or Planter Back under Frame.

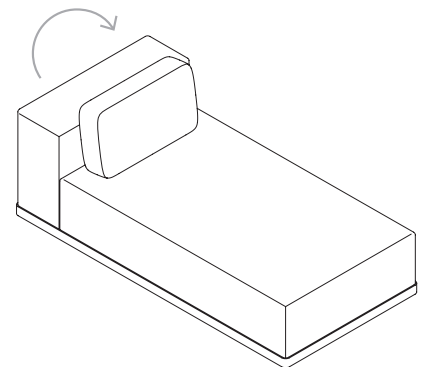
Chair/Chaise Back Cushion or Chair/Chaise Planter Back



- 4** Attach Chaise Frame to bottom of Back Cushion/Planter Back.
4x 25 mm Hex Bolts, 4x Spring Washers, and 4x Flat Washers

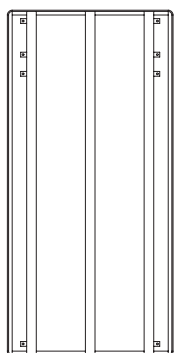


- 5** With help from a friend, flip over, and place Throw Pillow. Enjoy!

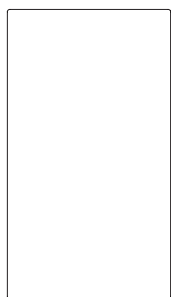


TIP With help from a friend, keep bottom of Back Cushion/Planter Back and Frame as parallel as possible when attaching. This will ensure an easier and more secure attachment.

Parts (packed in separate boxes)



1x Chaise Frame



1x Chaise Seat Cushion



1x Throw Pillow



1x Chair/Chaise Back Cushion or Chair/Chaise Planter Back

Hardware



8x 25 mm Hex Bolt



2x Joining Clip



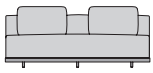
8x Flat Washer



8x Spring Washer



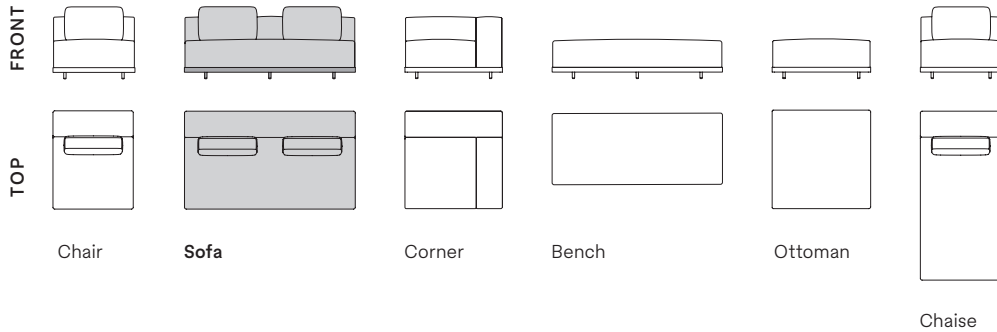
1x Hex Ratchet



Workaround Sofa

Workaround's modular components are designed to let you configure your own perfect outdoor seating. Easy to assemble and add to over time.

Seating Modules

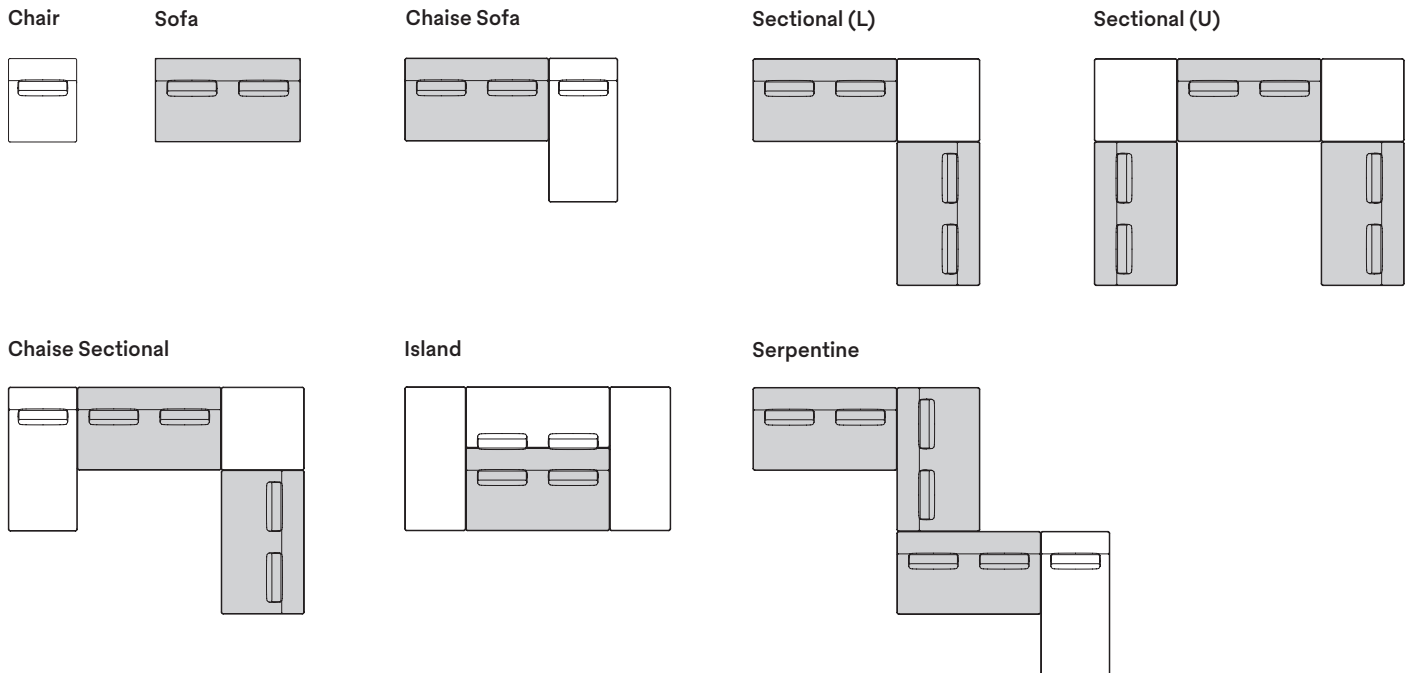


Start with one of our popular configurations or create your own.

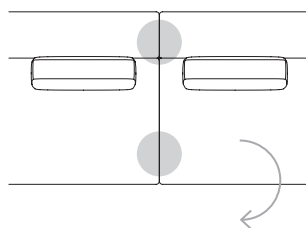
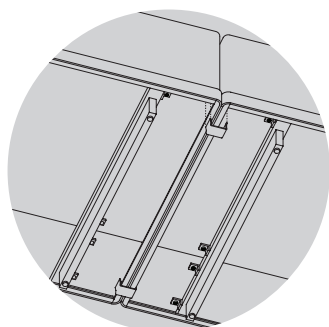


Indicates seat module in this box

Don't see the configuration you're looking for? Reach out at support@hineighbor.com



When connecting modules

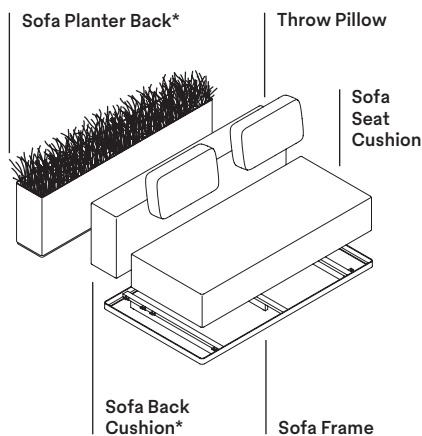


Snap Joining Clip to Frames where adjacent modules meet underneath.



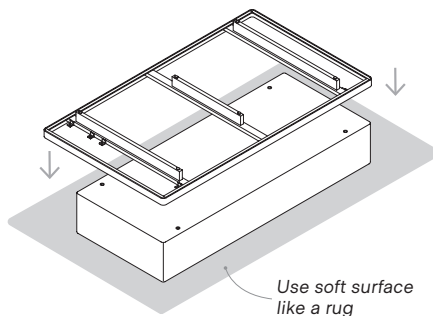
Workaround Sofa

How it all fits together

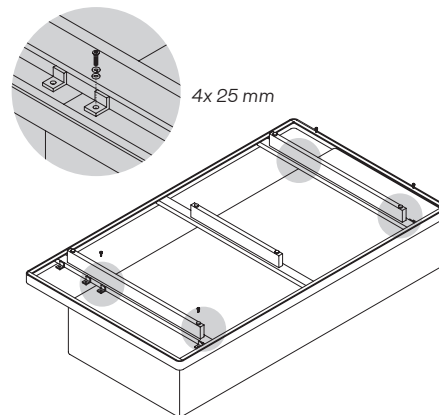


*Choose either the Sofa Back Cushion or Sofa Planter Back—both install the same way.

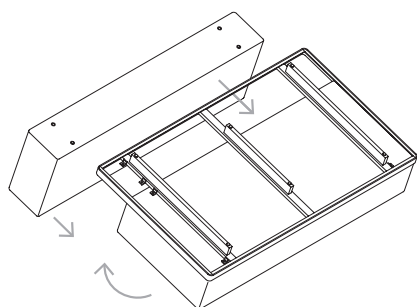
- 1 On a soft surface, gently lay Sofa Seat Cushion upside down. Then, lower Sofa Frame on top.
Sofa Seat Cushion, Sofa Frame, and a soft surface



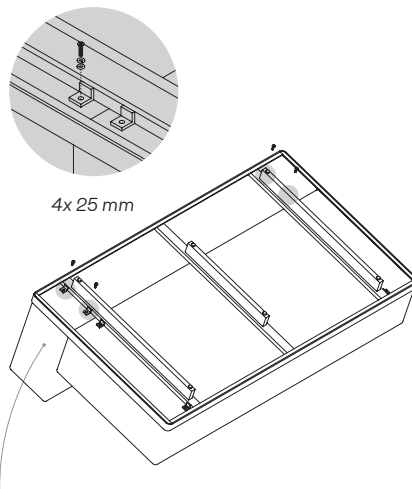
- 2 Attach Sofa Frame to bottom of Sofa Seat Cushion.
4x 25 mm Hex Bolts, 4x Spring Washers, and 4x Flat Washers



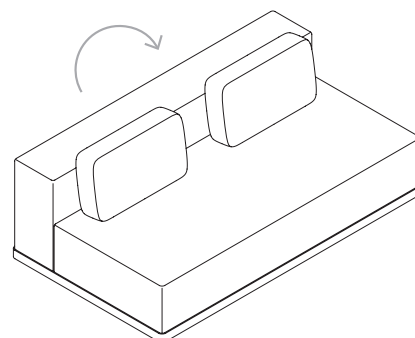
- 3 With help from a friend, gently tip Sofa Seat Cushion and Sofa Frame up and place Back Cushion or Planter Back under Frame.
Sofa Back Cushion/Sofa Planter Back



- 4 Attach Sofa Frame to bottom of Sofa Back Cushion/Sofa Planter Back.
4x 25 mm Hex Bolts, 4x Spring Washers, and 4x Flat Washers

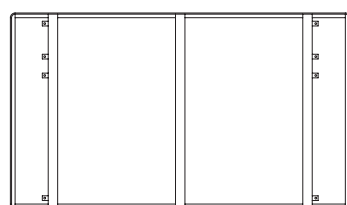


- 5 With help from a friend, flip over, and place Throw Pillows. Enjoy!

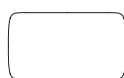


TIP With help from a friend, keep bottom of Sofa Back Cushion/Sofa Planter Back and Frame as parallel as possible when attaching. This will ensure an easier and more secure attachment.

Parts (packed in separate boxes)



1x Sofa Frame



2x Throw Pillow



1x Sofa Back Cushion/Sofa Planter Back



1x Sofa Seat Cushion

Hardware



8x 25 mm Hex Bolt



2x Joining Clip



8x Flat Washer



8x Spring Washer



1x Hex Ratchet