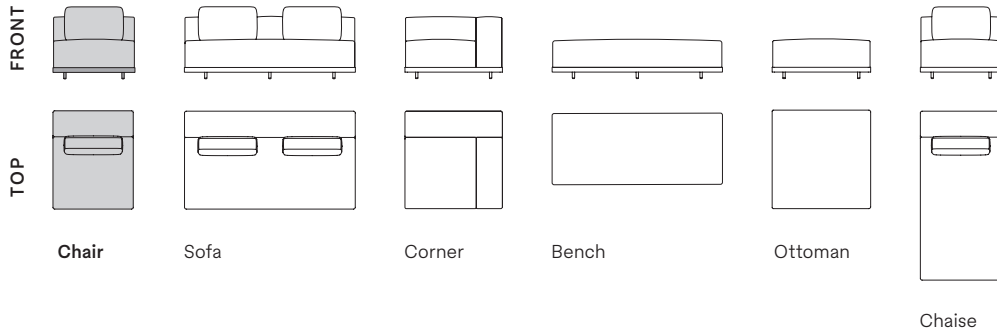




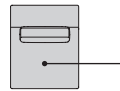
Workaround Chair

Workaround's modular components are designed to let you configure your own perfect outdoor seating. Easy to assemble and add to over time.

Seating Modules

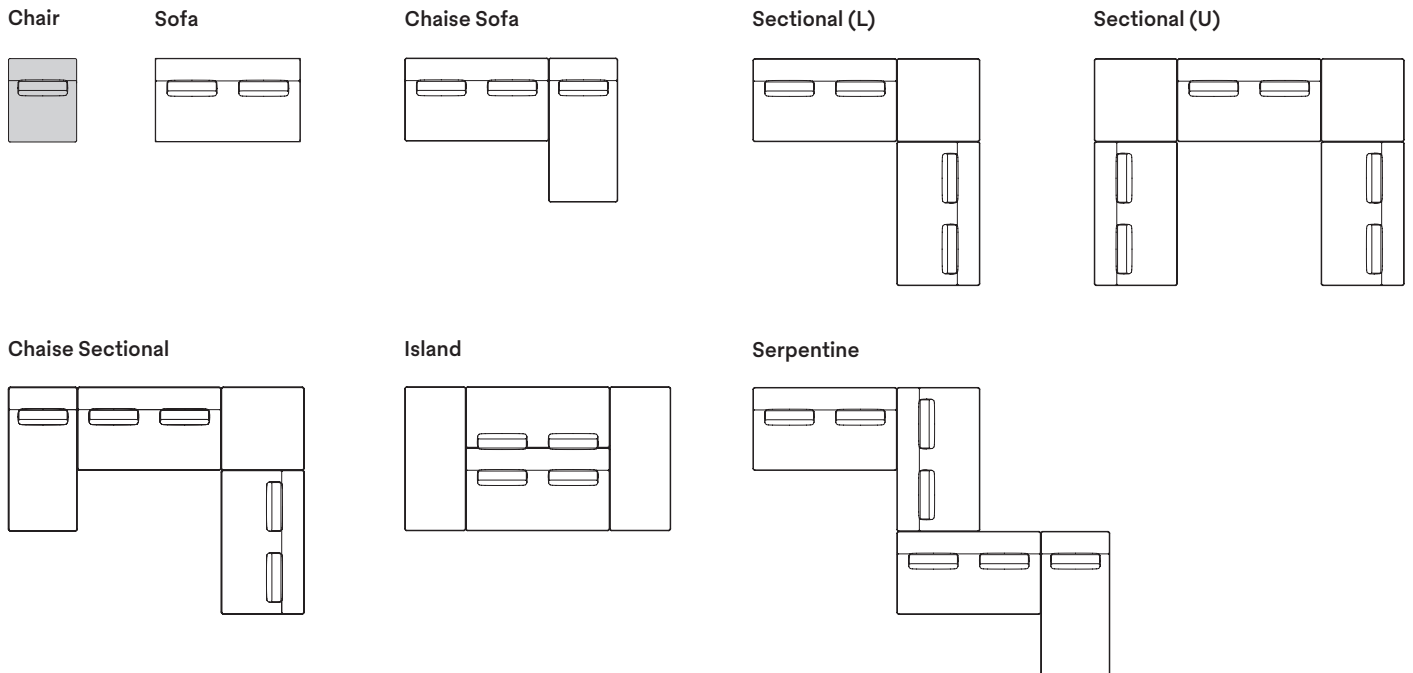


Start with one of our popular configurations or create your own.

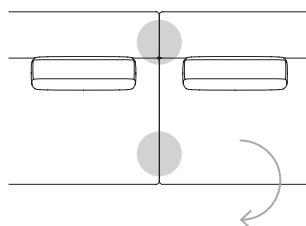
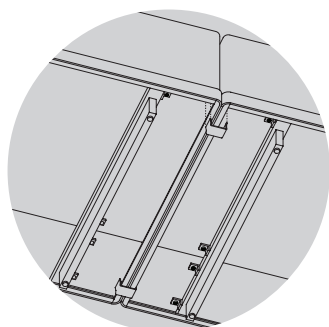


Indicates the module with parts found in this box

Don't see the configuration you're looking for? Reach out at support@hineighbor.com



When connecting modules

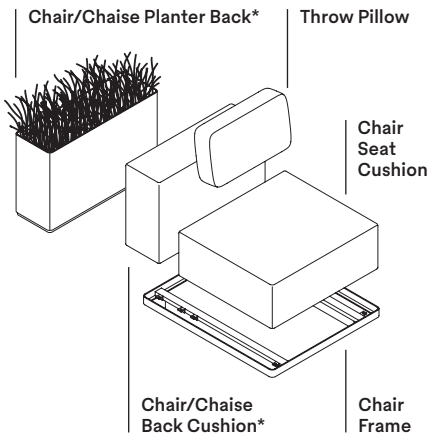


Snap Joining Clip to Frames where adjacent modules meet underneath.



Workaround Chair

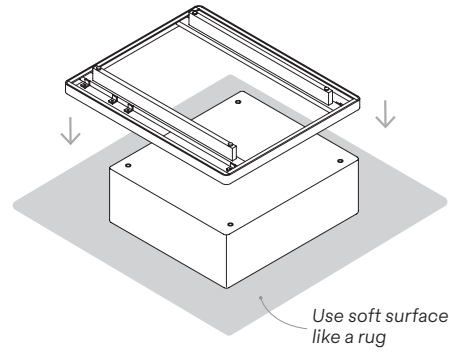
How it all fits together



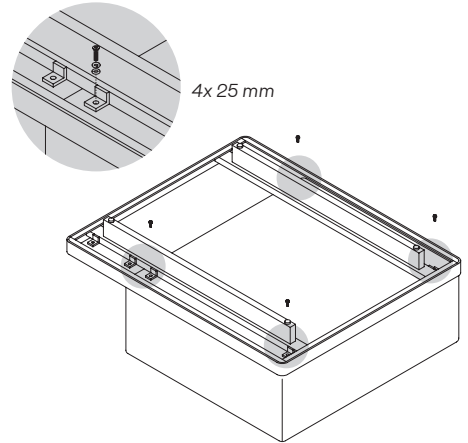
*Choose either the Short Back Cushion or Short Planter Back—both install the same way.

- ⚠ Do NOT use a drill while assembling
- Assemble all parts on a soft surface
- Do not fully tighten bolts until final step

- 1 On a soft surface, gently lay Chair Seat Cushion upside down. Then, lower Chair Frame on top.
Chair Seat Cushion, Chair Frame, and a soft surface

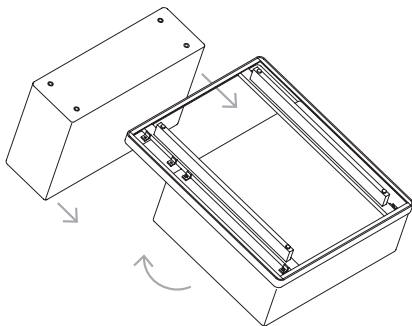


- 2 Attach Chair Frame to bottom of Chair Seat Cushion.
4x 25 mm Hex Bolts, 4x Spring Washers, and 4x Flat Washers

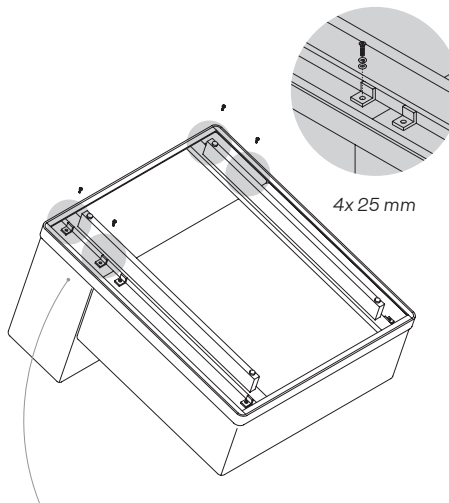


- 3 With help from a friend, gently tip Seat Cushion and Frame up and place Back Cushion or Planter Back under Chair Frame.

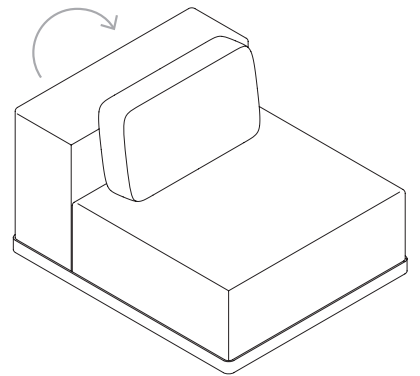
Chair/Chaise Back Cushion or Chair/Chaise Planter Back



- 4 Attach Frame to bottom of Back Cushion/Planter Back.
4x 25 mm Hex Bolts, 4x Spring Washers, and 4x Flat Washers

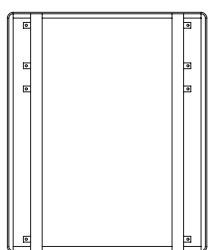


- 5 With help from a friend, flip over, and place Throw Pillow. Enjoy!



TIP With help from a friend, keep bottom of Back Cushion/Planter Back and Frame as parallel as possible when attaching. This will ensure an easier and more secure attachment.

Parts (packed in separate boxes)



1x Chair Frame



1x Chair Seat Cushion



1x Throw Pillow



1x Chair/Chaise Back Cushion or Chair/Chaise Planter Back

Hardware



8x 25mm Hex Bolt



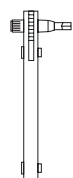
2x Joining Clip



8x Flat Washer



8x Spring Washer



1x Hex Ratchet