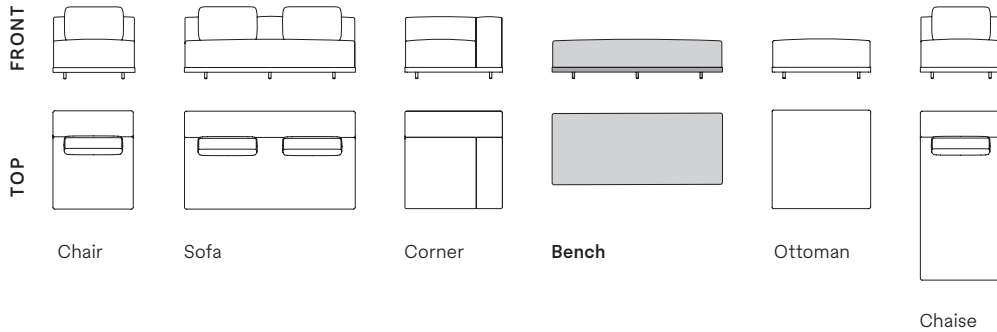




Workaround Bench

Workaround's modular components are designed to let you configure your own perfect outdoor seating. Easy to assemble and add to over time.

Seating Modules

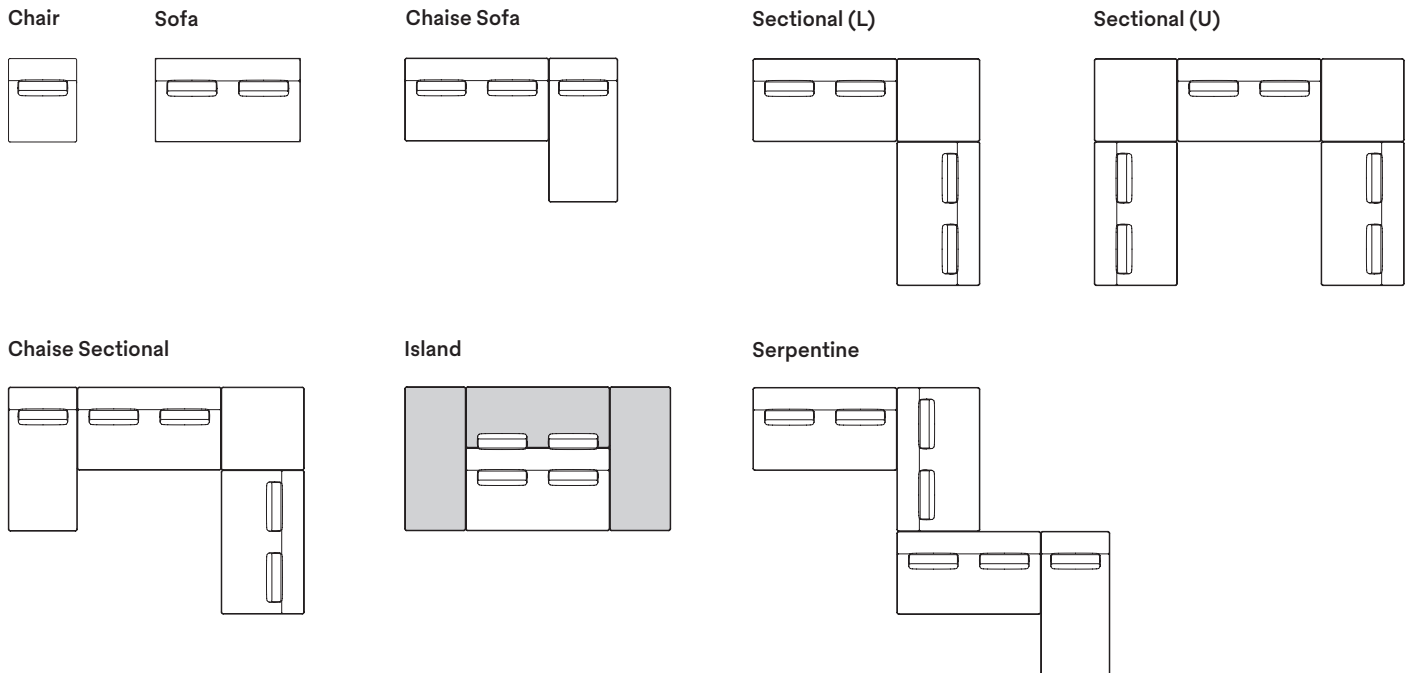


Start with one of our popular configurations or create your own.

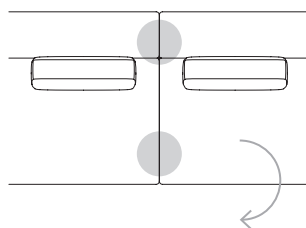
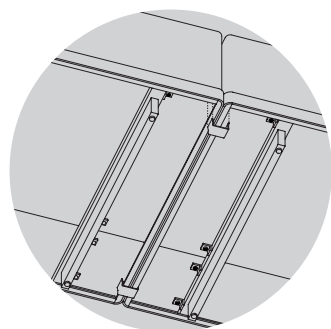


Indicates the module with parts found in this box

Don't see the configuration you're looking for? Reach out at support@hineighbor.com



When connecting modules



Snap Joining Clip to Frames where adjacent modules meet underneath.

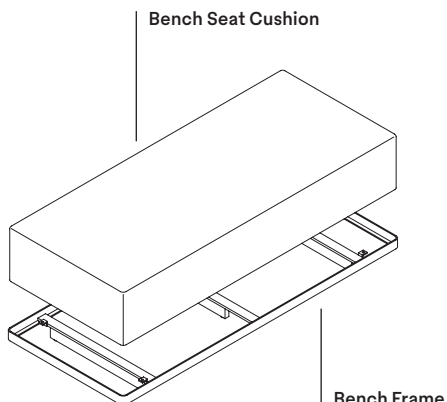


Workaround Bench



- Do NOT use a drill while assembling
- Assemble all parts on a soft surface
- Do not fully tighten bolts until final step

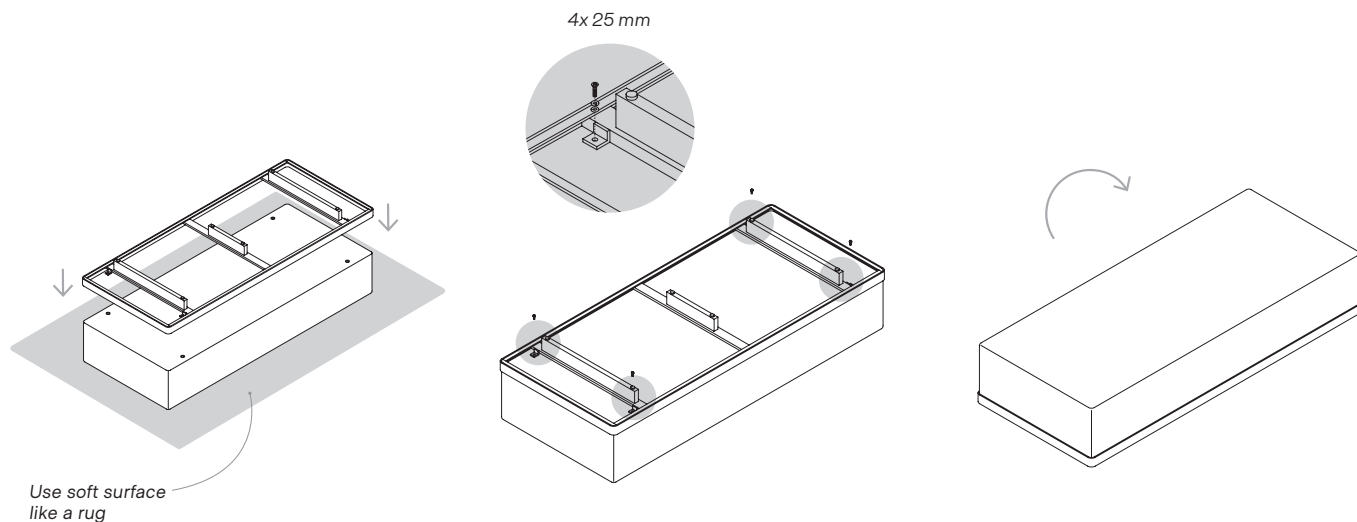
How it all fits together



- 1 On a soft surface, gently lay Bench Seat Cushion upside down. Then, lower Bench Frame on top.
Bench Seat Cushion, Bench Frame, and a soft surface

- 2 Attach Bench Frame to bottom of Bench Seat Cushion.
4x 25 mm Hex Bolts, 4x Spring Washers, and 4x Flat Washers

- 3 With help from a friend, flip over, and enjoy!



Parts (packed in separate boxes)



1x Bench Frame



1x Bench Seat Cushion

Hardware



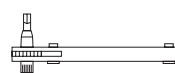
4x 25mm Hex Bolt



4x Flat Washer



4x Spring Washer



1x Hex Ratchet



2x Joining Clip