



Totem Chiminea

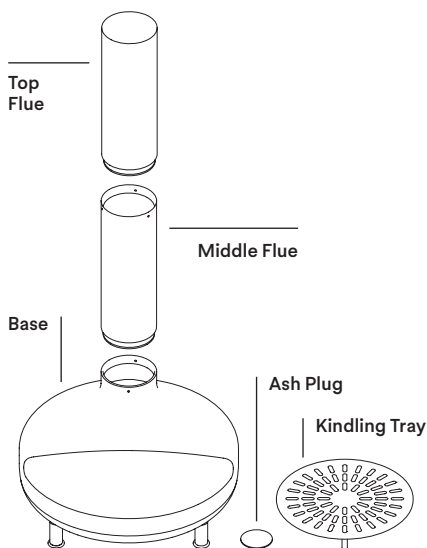
Assembly Instructions, Cleaning & Care, Safety Guidelines

neighbor

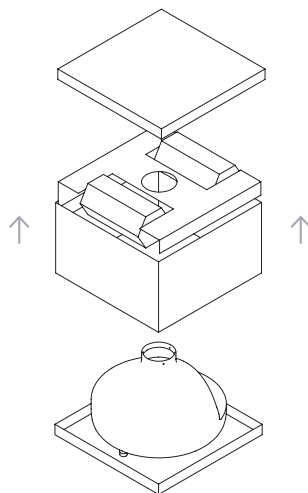
Totem Chiminea

- ⚠ Do NOT use a drill while assembling
- 2-person assembly required

How it all fits together

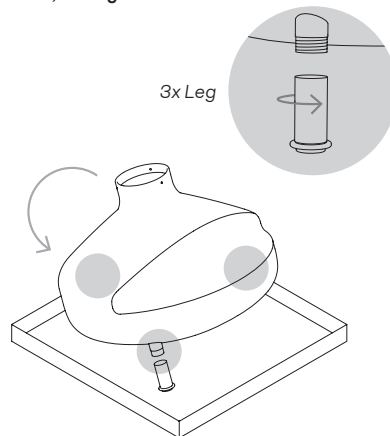


1 Remove all components and packaging while leaving Base on the packaging tray.



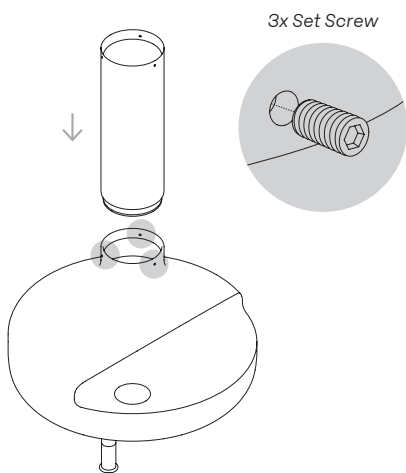
2 With help from a friend and using cardboard tray for protection, gently tilt Base to attach all three Legs. Once fully secured, carefully transfer Base off of cardboard tray.

Base, 3x Leg



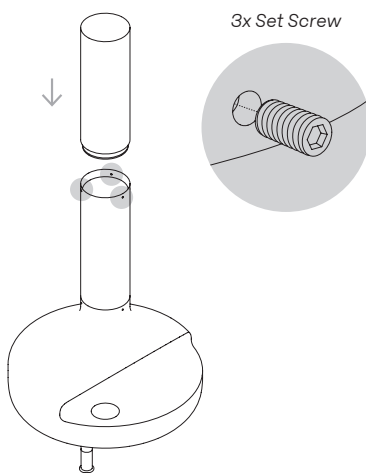
3 Insert Middle Flue into Base and attach with Set Screws.

Middle Flue, 3x Set Screw



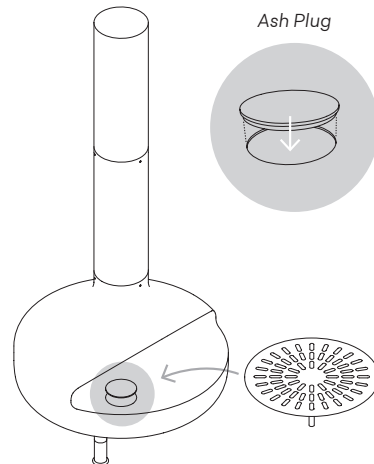
4 Insert Top Flue into Middle Flue and attach with Set Screws.

Top Flue, 3x Set Screw



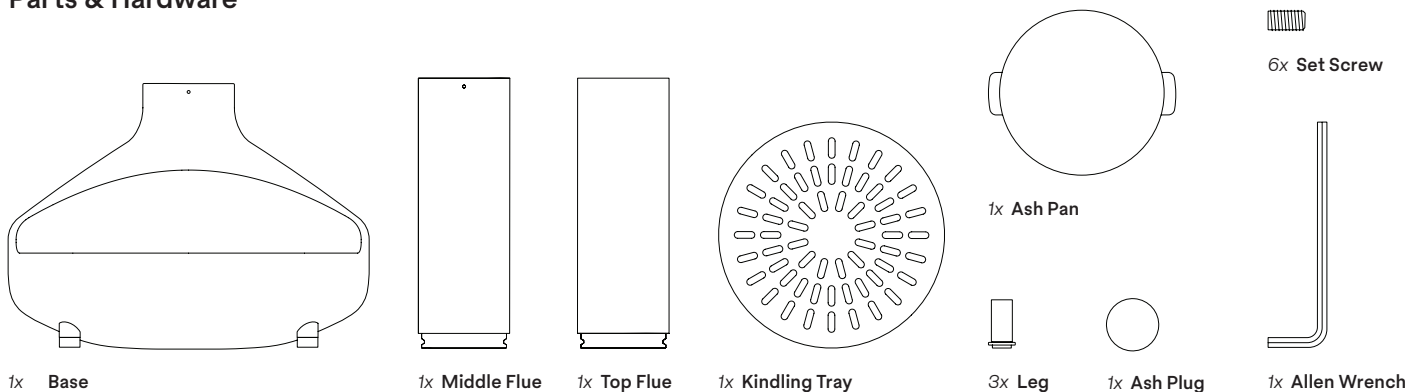
5 Insert Ash Plug, then Kindling Tray inside Base. You're done!

Ash Plug, Kindling Tray



TIP Once assembled, read ash removal instructions on the reverse side of this assembly guide.

Parts & Hardware

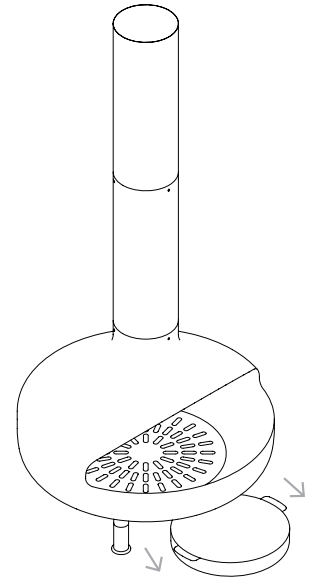
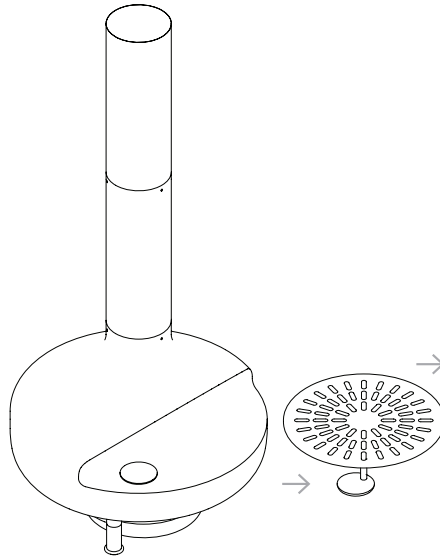
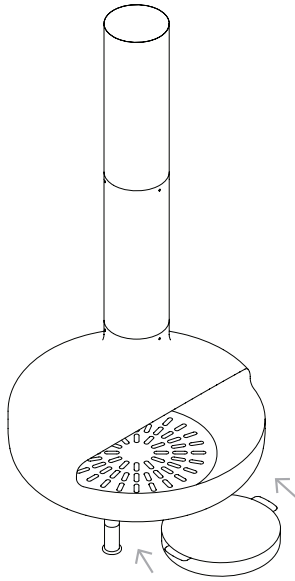




Totem Chiminea

To remove ashes from your Totem Chiminea

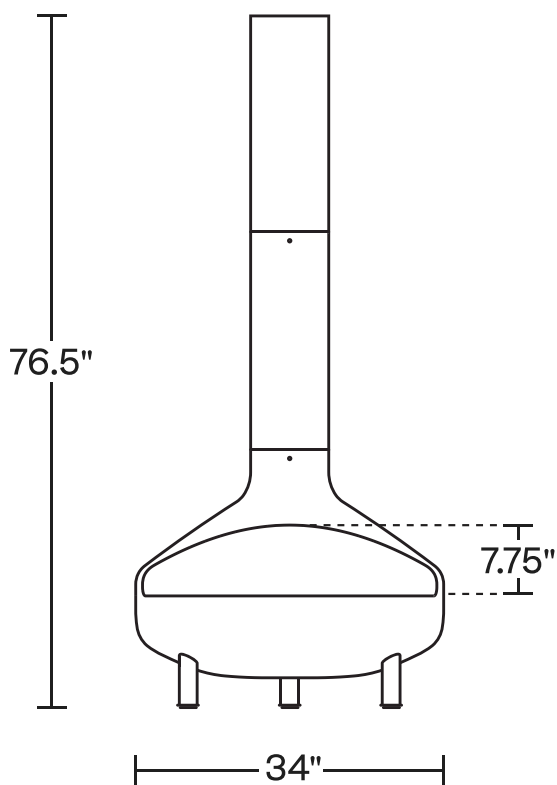
- 1 Make sure ashes have cooled completely. Then, place Ash Pan underneath the Base.
- 2 Carefully remove Kindling Tray and Ash Plug. Then, brush ashes into the Ash Pan.
- 3 Dispose of ashes. Then, return the Ash Plug and Kindling Tray and remove Ash Pan.



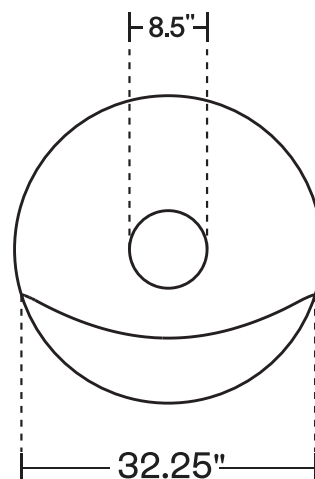
WARNING: THIS APPLIANCE IS FOR OUTDOOR USE ONLY!

This manual should remain with the parties responsible for operation.

Product Dimensions



Base diameter	34"
Height	76.5"
Flue diameter	8.5"
Opening height	7.75"
Opening width	32.25"



DO NOT DISCARD INSTRUCTIONS

Clearance/Placement & Safety Guidelines

Wood-Burning Outdoor Fire Features

To ensure safe and reliable operation, always follow all of the guidelines below.

Minimum Clearances

Maintain the following minimum distances from all combustible materials, including walls, furniture, railings, and vegetation:

Sides: At least 48 inches (4 ft)

Front: (open flame direction): At least 48 inches (4 ft)

Overhead: Completely clear — no structures, coverings, or obstructions

Structures: Place unit at least 10 feet away from structures and buildings. Do not use under pergolas, roofs, umbrellas, tree branches, or any overhead obstruction.

Surface Requirements

Use only on non-combustible surfaces such as concrete, stone, gravel, or fire-rated pavers. Do not place directly on wood or composite decking without a proper heat barrier or stand. Ensure the surface is stable, level, and heat-resistant.

Heat & Ember Awareness

Wood-burning fires produce intense radiant heat and airborne embers. Keep surrounding areas free of dry debris and flammable materials. Maintain a clear zone beyond minimum distances when possible.

Ventilation & Placement

For outdoor use only. Do not operate in enclosed or partially enclosed spaces. Ensure fully open-air placement with unrestricted airflow.

Cooling & Care

Allow the unit to cool naturally after use. Do not apply water or other liquids to accelerate cooling, as rapid temperature changes can cause the porcelain enamel to crack.

Operating Safety

Never leave a fire unattended. Keep a water source, fire extinguisher, or sand nearby. Do not use during high winds or local burn restrictions. Allow unit to cool completely before handling or storing.

Codes & Compliance

Always follow local fire codes and regulations and all product-specific instructions provided with your unit. When guidelines differ, follow the most conservative (largest) clearance requirement.

Important

Improper placement or insufficient clearance may result in property damage, personal injury, or fire hazard. These guidelines are intended to reduce risk but do not eliminate it entirely.

Contact

Have questions, comments, or feedback?
We love hearing from customers.

support@hineighbor.com
hineighbor.com

neighbor