

Take Two Lounge Chair

neighbor



Description

Meet the Take Two Lounge Chair. Designed with a lower profile and a more relaxed sit.

It works just about anywhere—easy to move, easy to store, and steady once it's set. Bent steel and angled legs give it an understated yet bold presence. Finished in five bold powder-coated colors.

Materials & Specifications

- Galvanized steel frame with powder-coated finish
- Perforated steel tabletop
- Blackened 304 stainless steel
- Plastic glides

Finishes

COM/Customization: available upon request



Juniper
TAKETWO-LCSET-JU-1



Coral
TAKETWO-LCSET-CO-1



Charcoal
TAKETWO-LCSET-CH-1



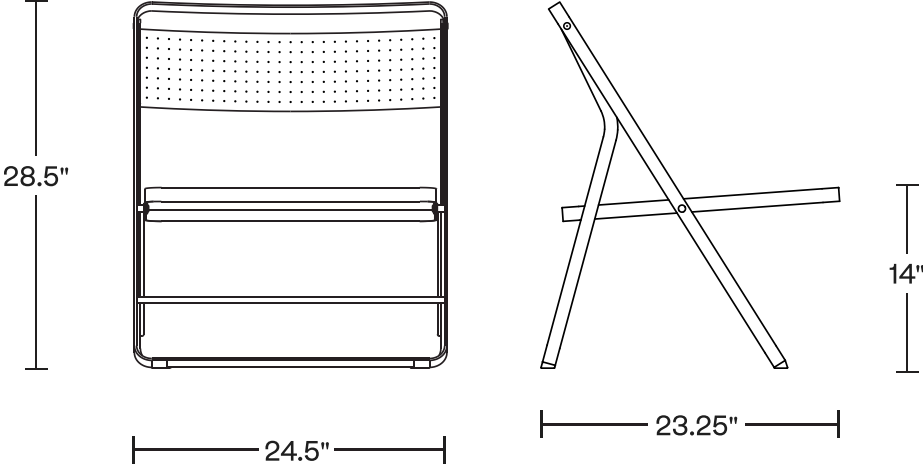
Yellow
TAKETWO-LCSET-YE-1



Ultramarine
TAKETWO-LCSET-UL-1

Dimensions

- Weight: 25 lbs
- Width: 24.5"
- Depth: 23.25"
- Height: 28.5"
- Seat height: 14"
- Seat depth: 21.75"



Other

- [Care and maintenance information](#)
- [Limited warranty](#)