

Hopper Chair

neighbor



Description

You can trace the influence, but Hopper moves differently. The classic Adirondack is still here—reclined seat, high back, and generous arms—just lighter, cleaner, and more refined. A curved, powder-coated stainless steel frame replaces the traditional bulk, paired with solid teak for the seat, back, and sculpted arms. With the ottoman, sitting becomes staying.

Materials & Specifications

- Galvanized steel frame with powder-coated finish
- Perforated steel seat and back
- Marine-grade hardware
- Nylon glides

Finishes

COM/Customization: available upon request



Sand
HOPPER-CHAIR-SA-1



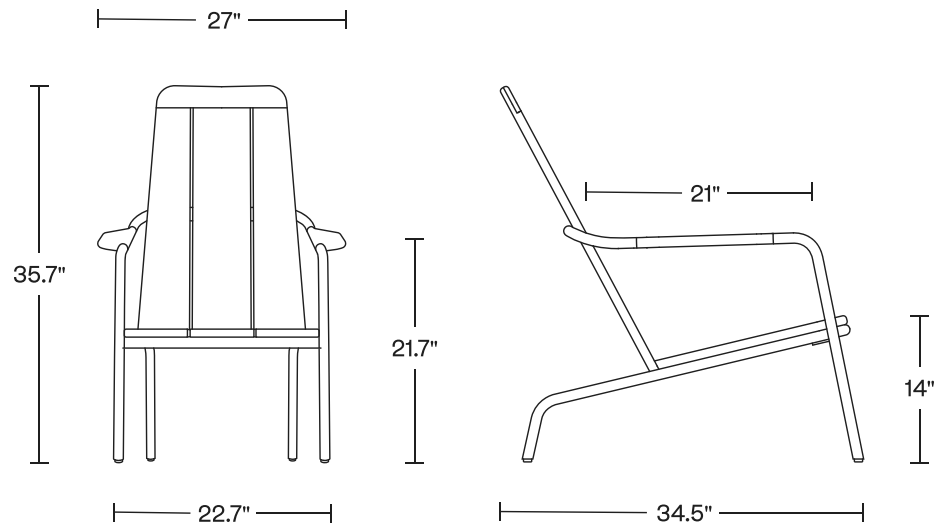
Olive
HOPPER-CHAIR-OL-1



Charcoal
HOPPER-CHAIR-CH-1

Dimensions

Weight: 33 lbs
Width: 27"
Depth: 34.5"
Height: 35.7"
Seat height: 14"
Seat depth: 21"



Other

[Care and maintenance information](#)
[Limited warranty](#)