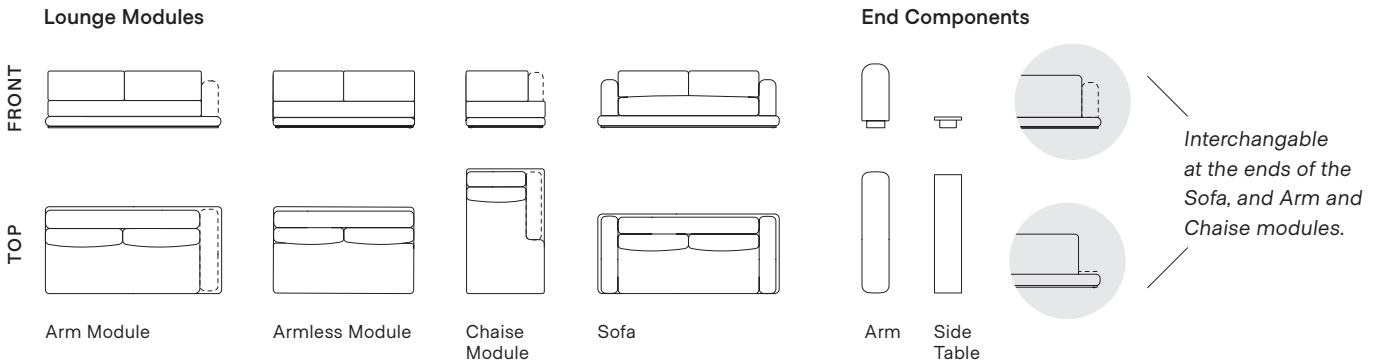




ROUNABOUT COLLECTION

# Sofa

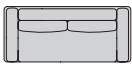
Roundabout's modular components and interchangeable arms and side tables are designed to let you configure your own perfect outdoor seating, with the option to add or change over time.



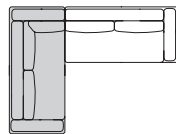
Start with one of our most popular configurations or create your own.

Indicates module in this box

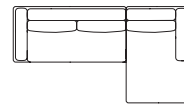
**Sofa**



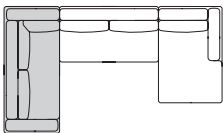
**Two-Piece Sectional**



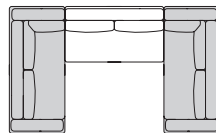
**Chaise Sofa**



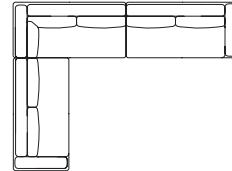
**Chaise Sectional**



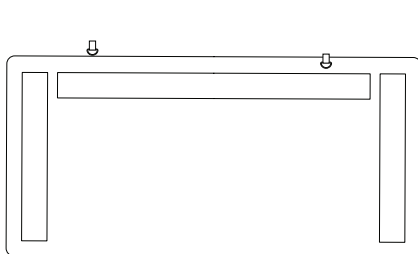
**Three-Piece U-Shaped Sectional**



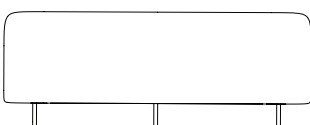
**Three-Piece Sectional**



**Frame box**



1x Base



1x Backrest



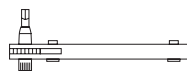
2x Short Connector Pin



14x 55mm Hex Bolt



14x Washer



1x Hex Ratchet

**Cushion Box**

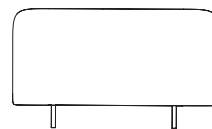


1x Base Cushion



2x Back Cushion

**Arm Component Box**

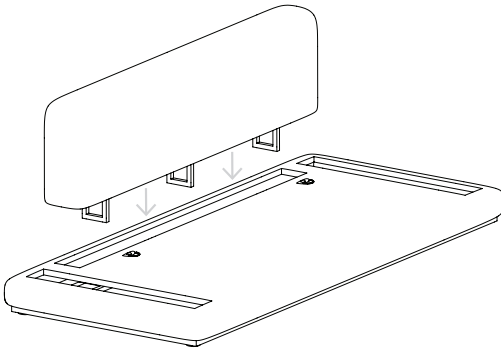


2x Arm Component

# Assembly Guide

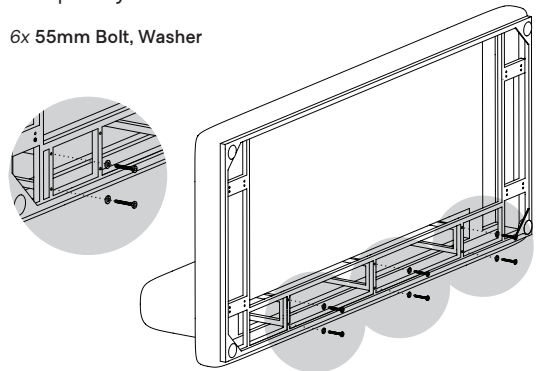
- ⚠ Do NOT use a drill while assembling
- Assemble all parts on a soft surface

- 1 Insert Backrest into Base.



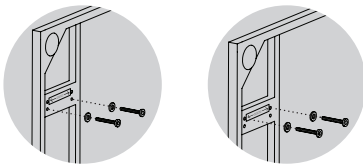
- 2 Gently lay Base on its side. Fasten Backrest into Base on underside with Hex Bolts. Don't tighten completely.

6x 55mm Bolt, Washer



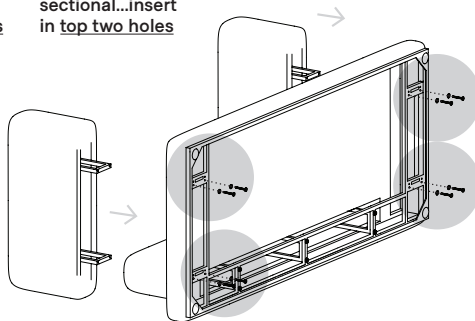
- 3 Insert Arm Components into Base. To fasten, refer to sticker on the Base's underside for Hex Bolt location. Then, fasten together and tighten all Hex Bolts.

4x 55mm Bolt, Washer

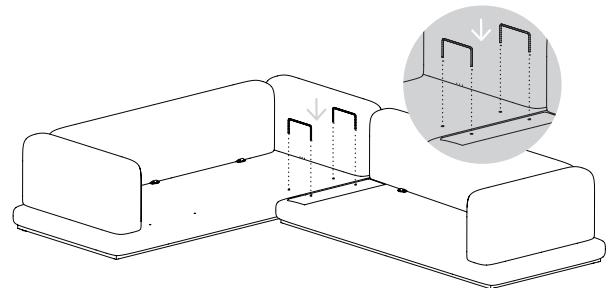


If using this as an end in a sectional or as a sofa...insert in bottom two holes

If using this as a corner in a sectional...insert in top two holes



- 4 Combine any seating modules by inserting Connector Pins into adjoining Bases.



- 5 Add cushions and secure to D-rings on Base with hook-and-loop straps. You're done!

