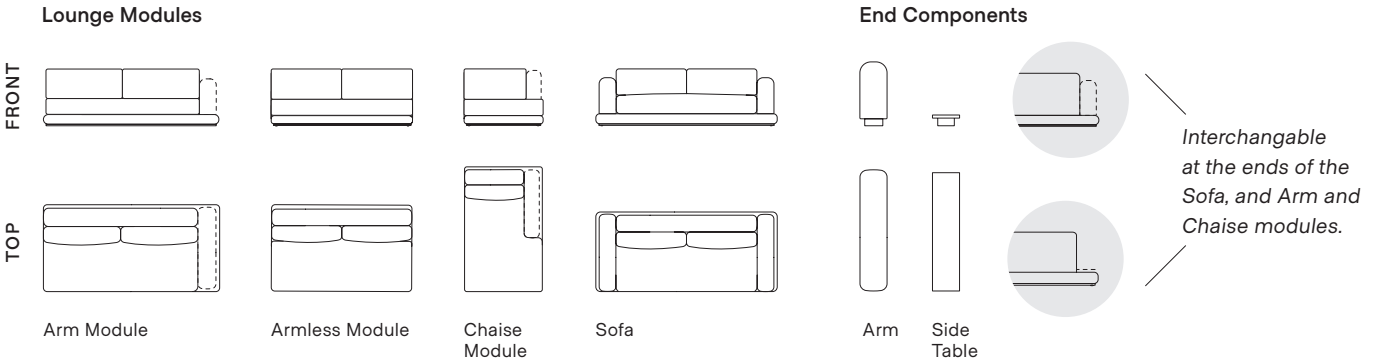


ROUNABOUT COLLECTION  
**Chaise Module**

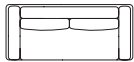
Roundabout's modular components and interchangeable arms and side tables are designed to let you configure your own perfect outdoor seating, with the option to add or change over time.



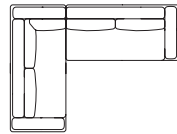
Start with one of our most popular configurations or create your own.

Indicates module in this box

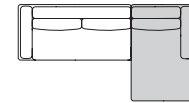
**Sofa**



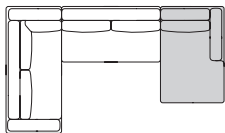
**Two-Piece Sectional**



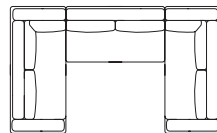
**Chaise Sofa**



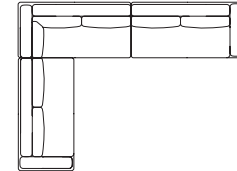
**Chaise Sectional**



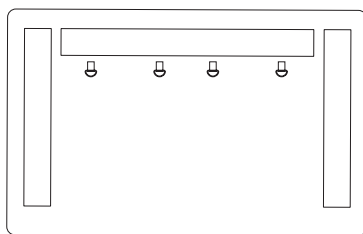
**Three-Piece U-Shaped Sectional**



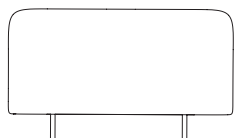
**Three-Piece Sectional**



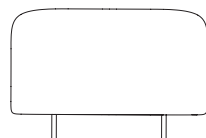
**Frame box**



1x Base



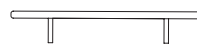
1x Arm Component



1x Backrest



2x Small Connector Pin



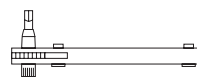
2x Cover Plate



16x 55mm Hex Bolt

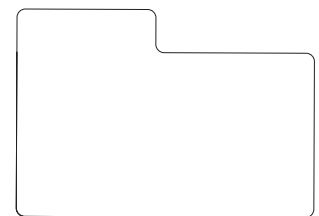


16x Washer



1x Hex Ratchet

**Cushion Box**




1x Base Cushion

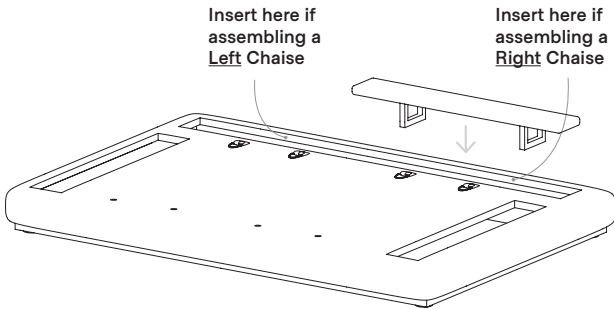


1x Back Cushion

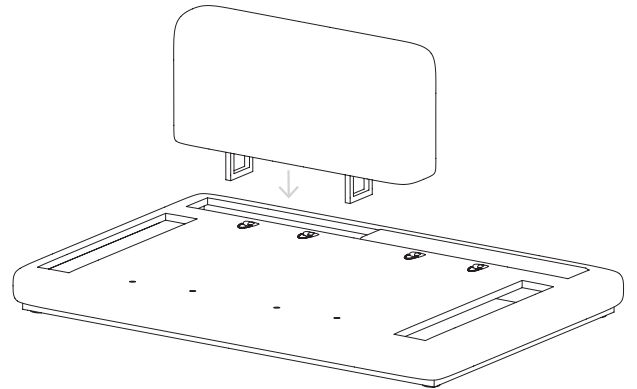
# Assembly Guide

 • Do NOT use a drill while assembling  
• Assemble all parts on a soft surface

- 1 Insert one Cover Plate into Base. Be sure to insert it into the correct side (see below), which depends on whether you have a left or right chaise.

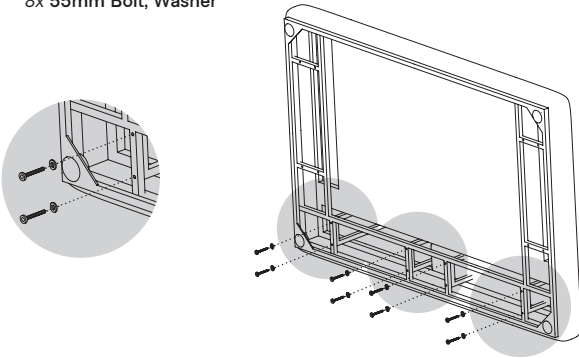


- 2 Insert Arm into Base opposite of where Cover Plate was previously inserted.

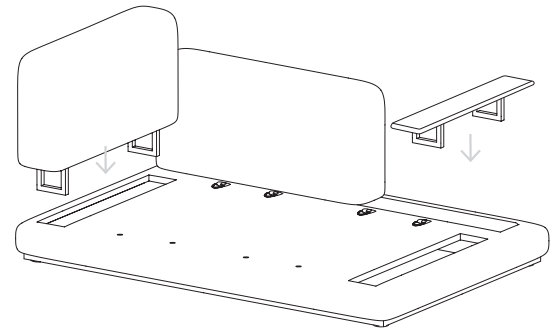


- 3 Gently lay Base on its side. Fasten Arm and Cover Plate into Base with Hex Bolts. Don't tighten bolts completely yet.

8x 55mm Bolt, Washer

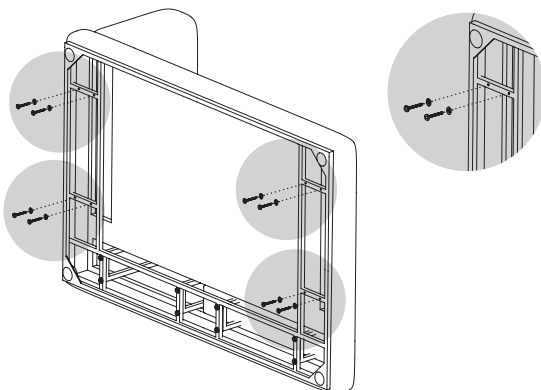


- 4 Insert Backrest and second Cover Plate into Base.

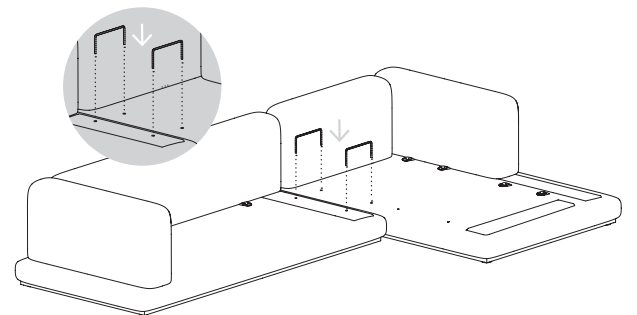


- 5 Gently lay Base on its side. Fasten Backrest and second Cover Plate into Base with Hex Bolts. Tighten all bolts completely.

8x 55mm Bolt, Washer



- 6 Combine seating modules by inserting Connector Pins into adjoining Bases.



- 7 Add cushions and secure to D-rings on Base with hook-and-loop straps. You're done!

