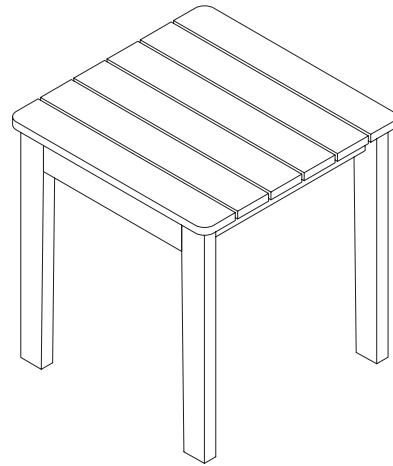
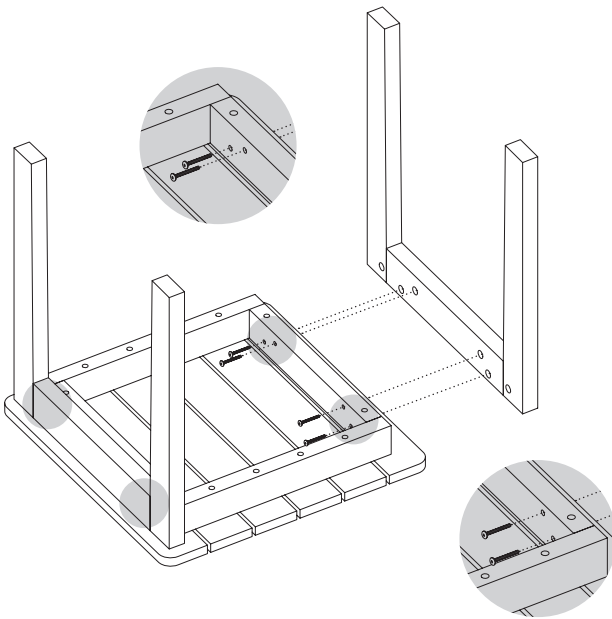




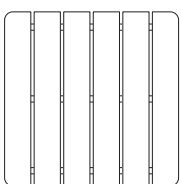
## Low Side Table

**1** Carefully place the Tabletop upside down on a soft surface. Attach Legs as shown by aligning their holes with the Tabletop's holes. Fasten them together by tightening the Hex Bolts, but don't overtighten! Repeat on both sides of the table.

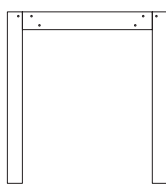
**2** With help from another person, gently flip the table over. Your Neighbor Low Side Table is now ready to use. Enjoy!



### Parts



1x Tabletop

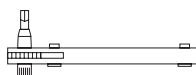


2x Leg

### Hardware



8x 40mm Hex Bolt



1x Hex Ratchet