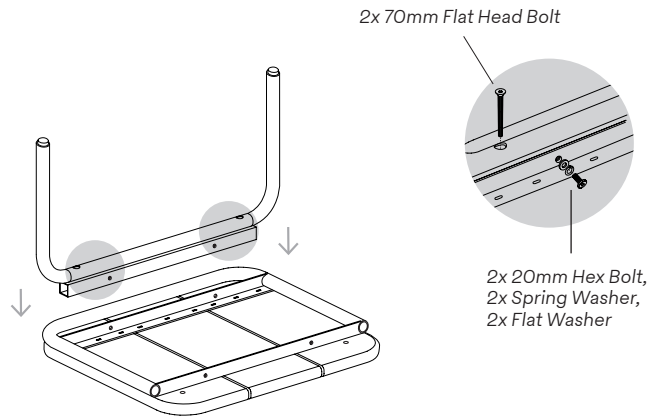


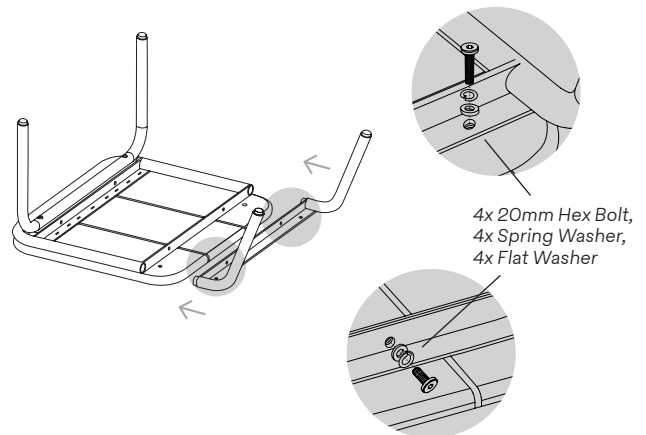
Hopper Ottoman

- Do NOT use a drill while assembling
- Assemble all parts on a soft surface
- Do not fully tighten bolts until final step

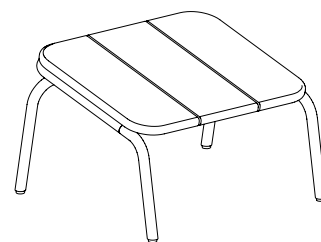
1 Attach Back Legs to Ottoman Base.
Back Legs, Ottoman Base, 2x 70mm Flat Head Bolts, 2x 20mm Hex Bolt, 2x Spring Washer, and 2x Flat Washer



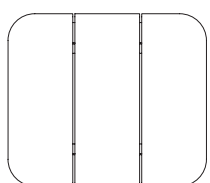
2 Attach Front Legs to Ottoman Base.
Front Legs, 4x 20mm Hex Bolt, 4x Spring Washer, and 4x Flat Washer



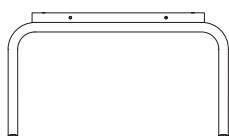
3 Fully tighten all bolts and gently flip over Ottoman. You're finished; it's time to relax!



Parts



1x Ottoman Base



1x Back Legs



1x Front Legs

Hardware



6x 20mm Hex Bolt



6x Spring Washer



6x Flat Washer



2x 70mm Flat Head Bolt



1x Hex Ratchet