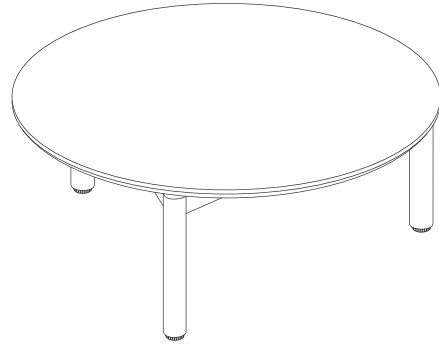
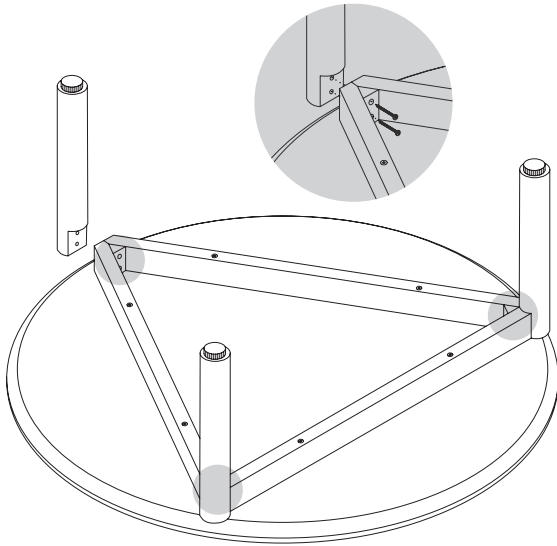


HAVEN COLLECTION

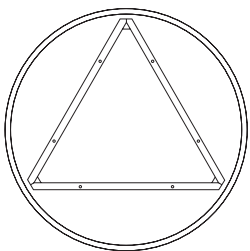
Rounded Coffee Table

- 1 Align Legs with threaded holes in the frame underneath the Concrete Top. Then fasten all Legs.  
6x 70mm Hex Bolt

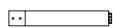
- 2 With help from a friend, carefully flip the table over. Adjust levelers as desired, enjoy!



Parts



1x Concrete Top

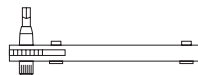


3x Leg

Hardware



6x 70 mm Hex Bolt



1x Hex Ratchet