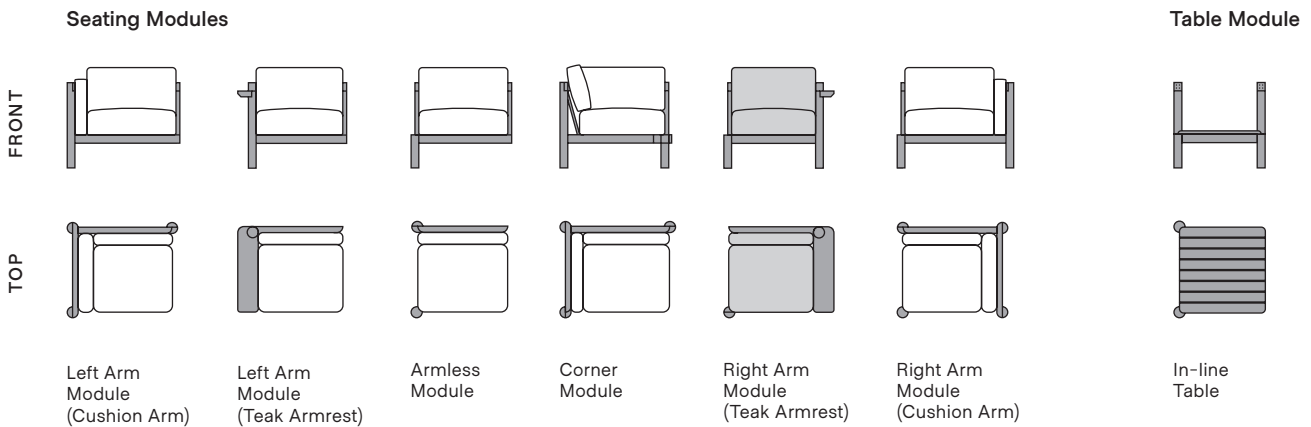


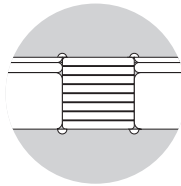
HAVEN COLLECTION

Right Arm Module (Teak Armrest)

Haven's five modular components are designed to let you configure your own perfect outdoor seating. Easy to assemble and add to with a simple shared-leg design.



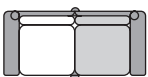
Start with one of our most popular shapes or create your own.



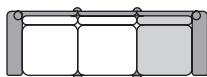
Easily replace any armless or arm modules with a table module.

Indicates module in this box

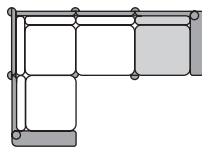
Loveseat



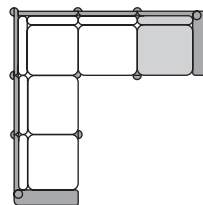
Sofa



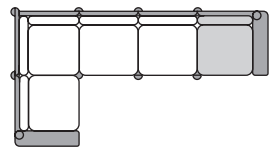
4-Piece Sectional



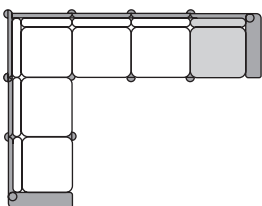
5-Piece Symmetrical Sectional



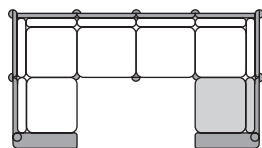
5-Piece Sectional



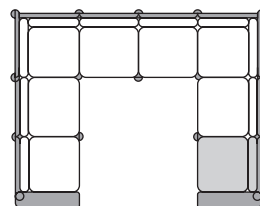
6-Piece Sectional



6-Piece U-Shaped Sectional



8-Piece U-Shaped Sectional

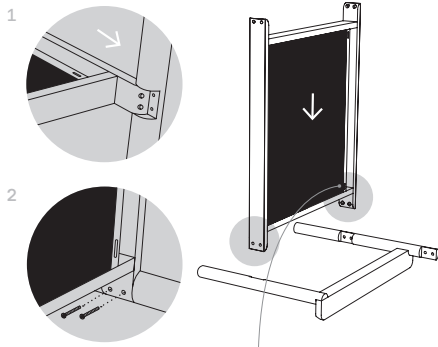




HAVEN COLLECTION

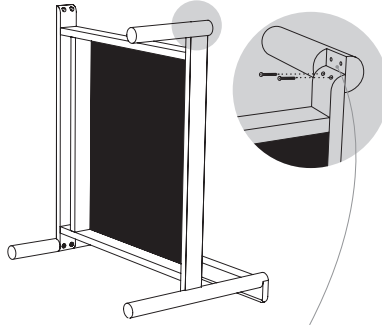
Right Arm Module (Teak Armrest)

1 Gently insert the Seat Base into the Right Arm's inner slots. Then fasten both pieces.
4x 30mm Hex Bolt



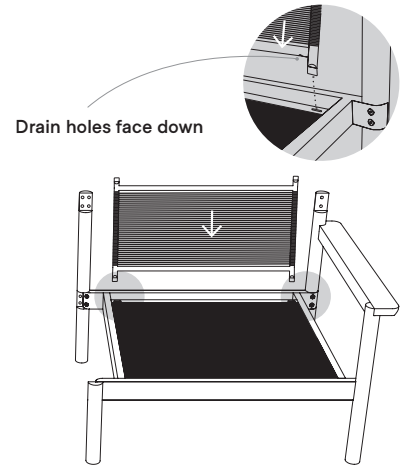
Backrest slots should align with the rear of the armrest, as shown

2 Fasten the Short Leg to the front of the Seat Base. Be sure to leave two threaded holes exposed for adjoining seating modules.
4x 30mm Hex Bolt

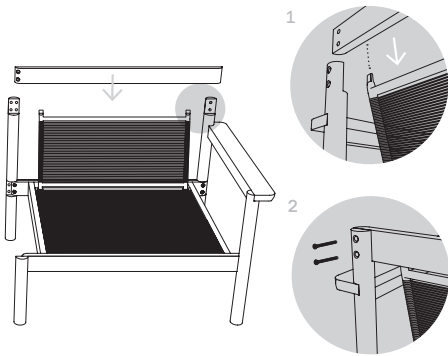


Leave two threaded holes exposed for the adjoining seating module

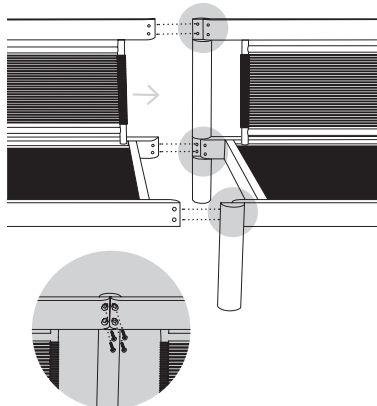
3 Insert the Roped Back into the slots in the Seat Base.



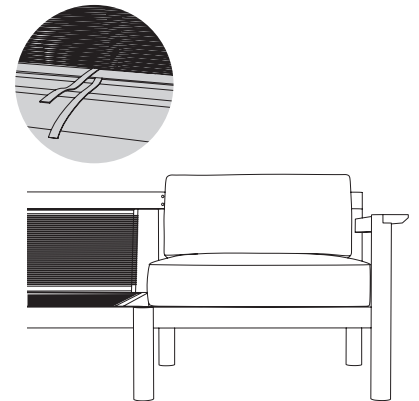
4 Lower the Back Support onto the Roped Back by fitting tabs into their corresponding slots. Then fasten Back Support to the Arm.
2x 40 mm Hex Bolt



5 Fasten to any previously assembled adjoining module(s).
6x 30mm Hex Bolt



6 Add cushions when complete. Secure Seat Cushion to Backrest and adjust leveling feet as needed.



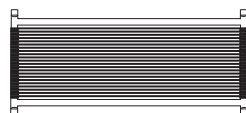
Parts



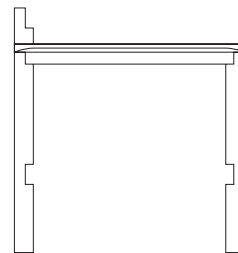
1x Seat Base



1x Back Support



1x Roped Back



1x Right Arm



1x Short Leg



1x Long Leg

Cushions



1x Seat Cushion



1x Back Cushion

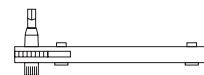
Hardware



14x 30 mm Hex Bolt



2x 40 mm Hex Bolt



1x Hex Ratchet

Have questions, comments, or feedback? Reach out at support@hineighbor.com

⚠ • Do NOT use a drill while assembling
• Assemble all parts on a soft surface