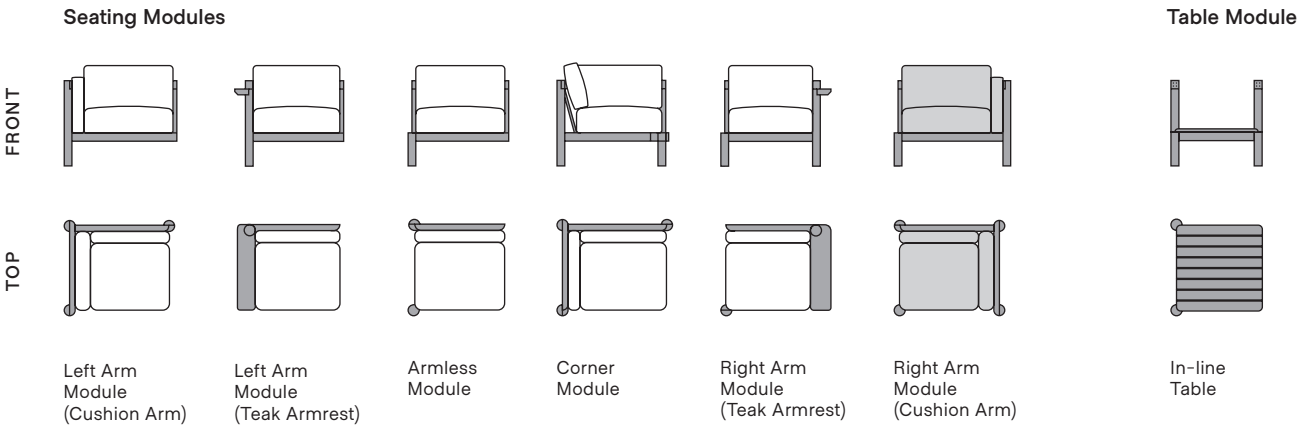


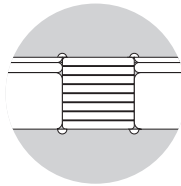
HAVEN COLLECTION

# Right Arm Module (Cushion Arm)

Haven's seven modular components are designed to let you configure your own perfect outdoor seating. Easy to assemble and add to with a simple shared-leg design.

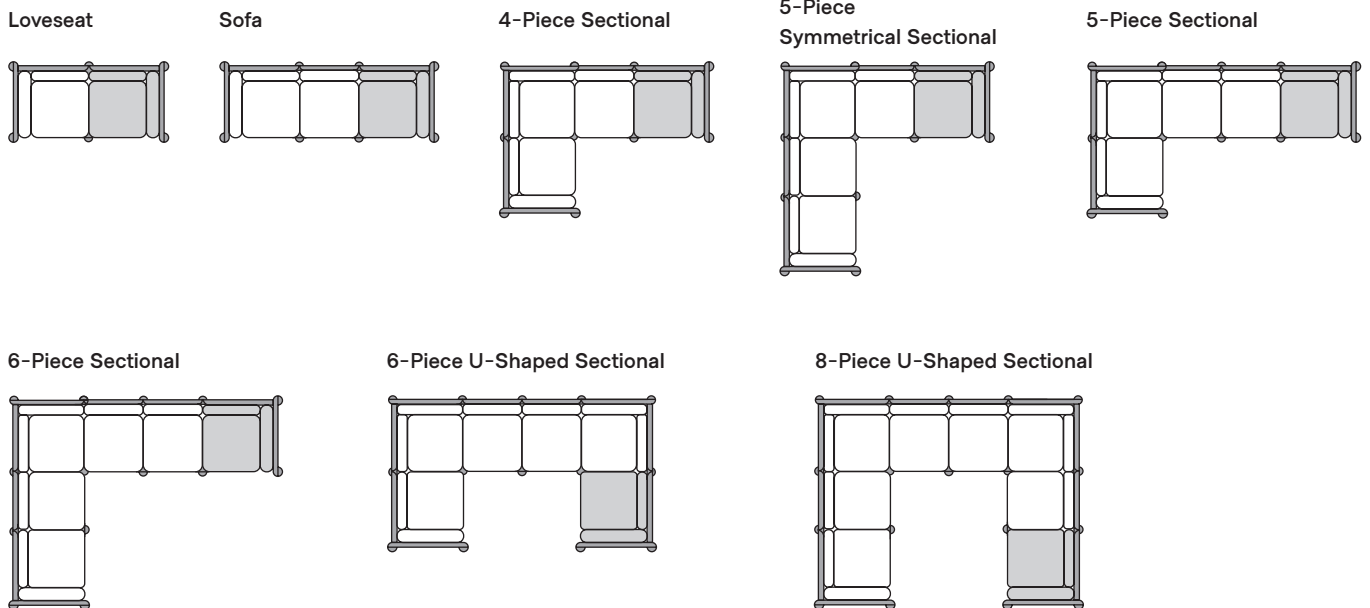


Start with one of our most popular shapes or create your own.



Easily replace any armless or arm modules with a table module.

Indicates module in this box

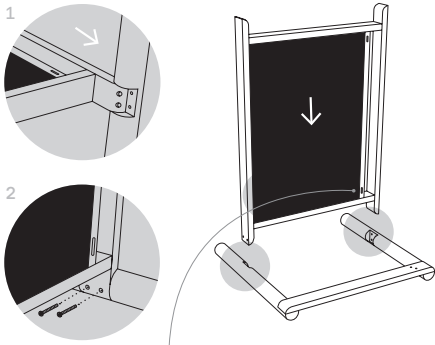




HAVEN COLLECTION

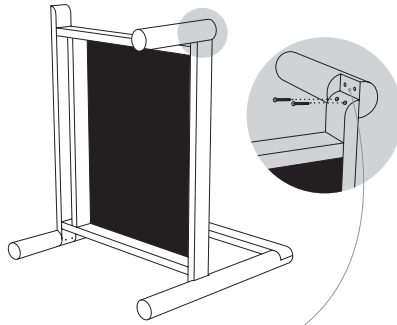
# Right Arm Module (Cushion Arm)

**1** Gently insert the Seat Base into the Right Arm's inner slots. Then fasten both pieces.  
4x 30mm Hex Bolt



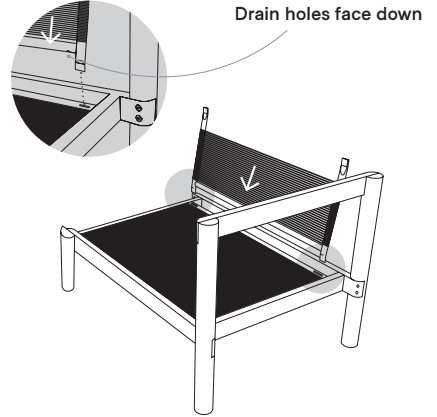
Backrest slots should align with the rear of the armrest, as shown

**2** Fasten the Short Leg to the front of the Seat Base. Be sure to leave two threaded holes exposed for adjoining seating modules.  
4x 30mm Hex Bolt

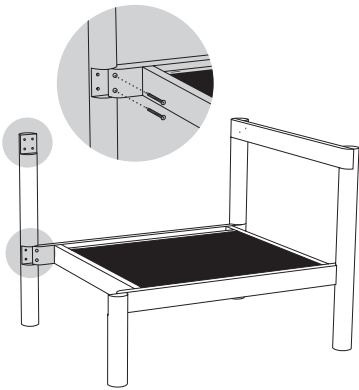


Leave two threaded holes exposed for the adjoining seating module

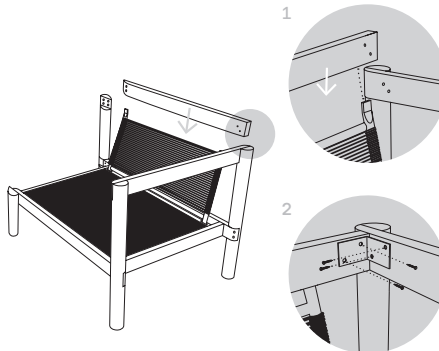
**3** Insert the Roped Back into the slots in the Seat Base.



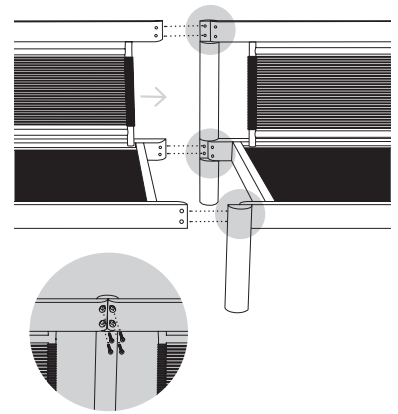
**4** Fasten Long Leg.  
4x 30mm Hex Bolt



**5** Lower the Back Support onto the Roped Back by fitting tabs into corresponding slots. Then fasten Back Support to the Arm.  
4x Screw, 1x L-Bracket



**6** Fasten to adjoining module(s).  
6x 30mm Hex Bolt



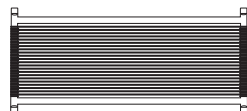
## Parts



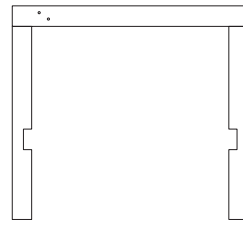
1x Seat Base



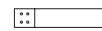
1x Back Support



1x Roped Back



1x Right Arm



1x Short Leg

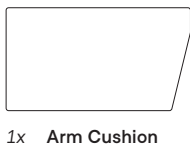


1x Long Leg

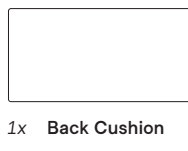
## Cushions



1x Seat Cushion



1x Arm Cushion



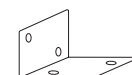
1x Back Cushion

## Hardware

*\*Not included* Phillips Head Screwdriver



12x 30 mm Hex Bolt



1x L-Bracket



4x Screw



1x Hex Ratchet

Have questions, comments, or feedback? Reach out at [support@hineighbor.com](mailto:support@hineighbor.com)

**⚠** • Do NOT use a drill while assembling  
• Assemble all parts on a soft surface