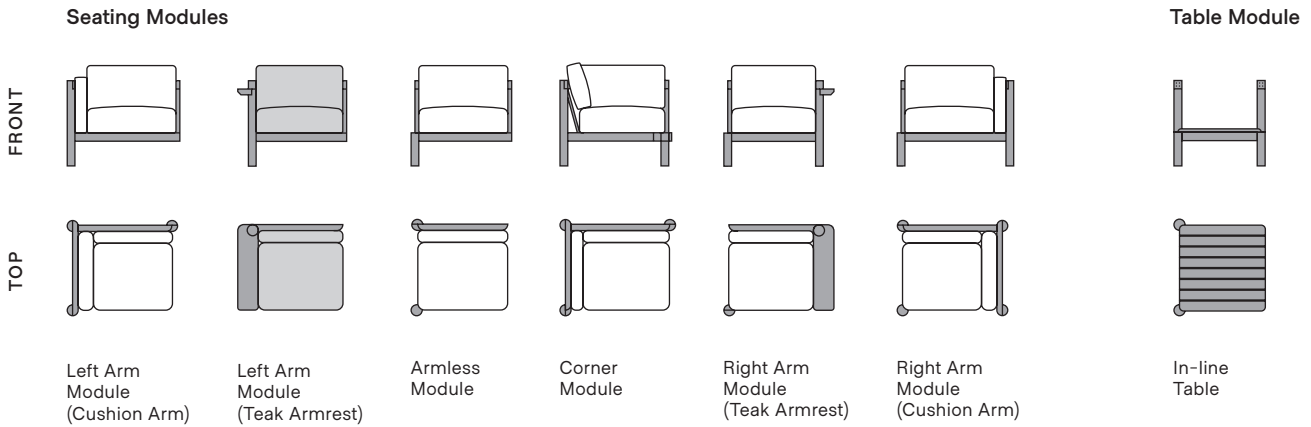


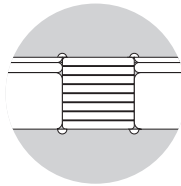
HAVEN COLLECTION

Left Arm Module (Teak Armrest)

Haven's five modular components are designed to let you configure your own perfect outdoor seating. Easy to assemble and add to with a simple shared-leg design.

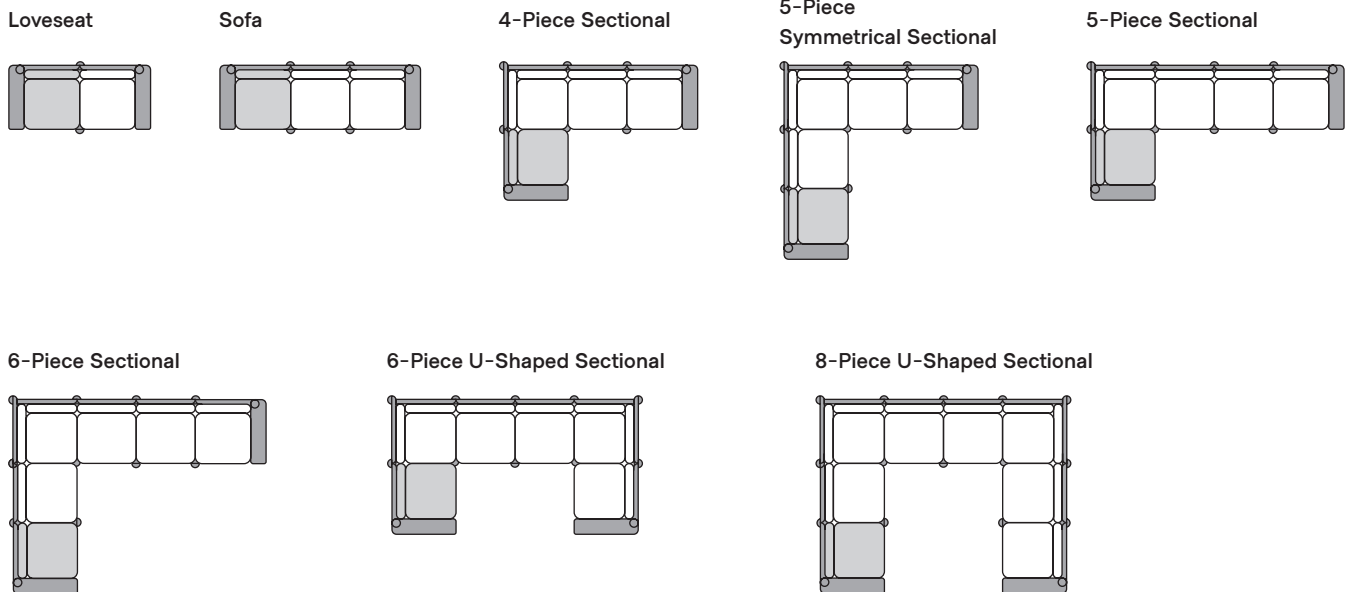


Start with one of our most popular shapes or create your own.



Easily replace any armless or arm modules with a table module.

Indicates module in this box



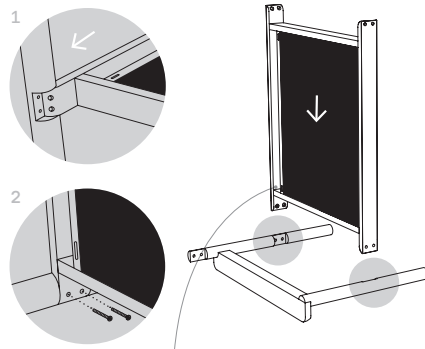


HAVEN COLLECTION

Left Arm Module (Teak Armrest)

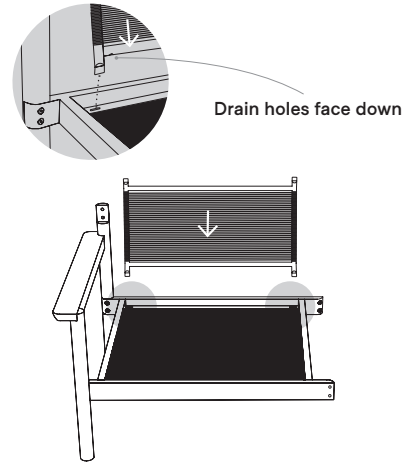
✓ Always assemble the Right Arm Module first. Continue by adding modules on the left until your furniture is complete.

1 Gently insert the Seat Base into the Left Arm's inner slots. Then fasten both pieces.
4x 30mm Hex Bolt

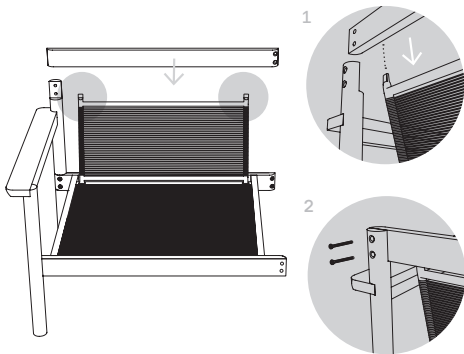


Backrest slots should align with the rear of the armrest, as shown

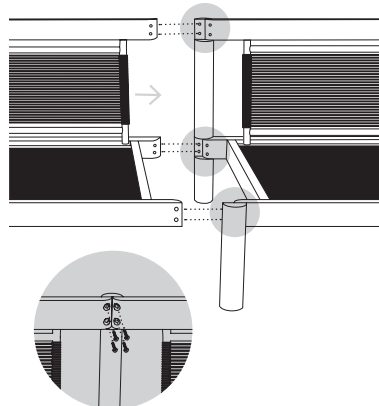
2 Insert the Roped Back into the slots in the Seat Base.



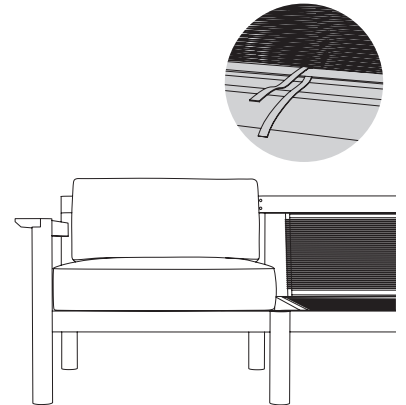
3 Lower the Back Support onto the Roped Back by fitting tabs into corresponding slots. Then fasten Back Support to the Arm.
2x 40 mm Hex Bolt



4 Fasten to any previously assembled adjoining module(s).
6x 30mm Hex Bolt



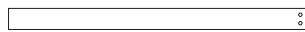
5 Add cushions when complete. Secure Seat Cushion to Backrest and adjust leveling feet as needed.



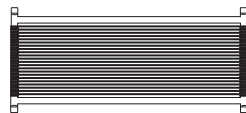
Parts



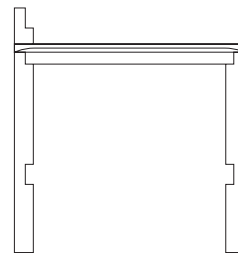
1x Seat Base



1x Back Support



1x Roped Back



1x Left Arm

Cushions



1x Seat Cushion



1x Back Cushion

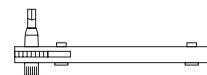
Hardware



10x 30 mm Hex Bolt



2x 40 mm Hex Bolt



1x Hex Ratchet