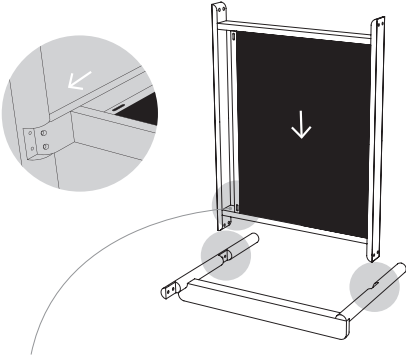




HAVEN COLLECTION

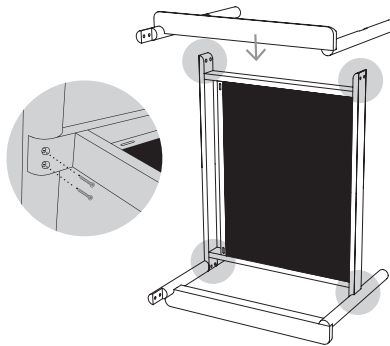
# Chair (Teak Armrest)

**1** Gently insert the Seat Base into the Left Arm's inner slots.

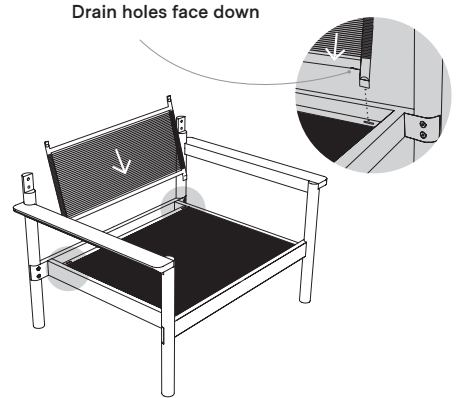


Backrest slots should align with the rear of the armrest, as shown

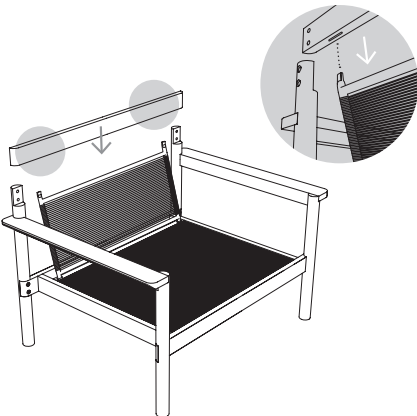
**2** Gently insert the Right Arm into the Seat Base, then fasten both arms to the base.  
8x 30mm Hex Bolt



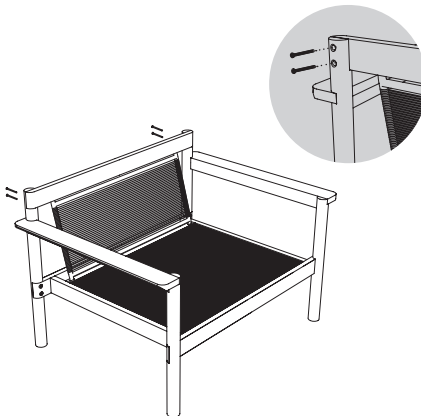
**3** Insert the Roped Back into the slots in the Seat Base.



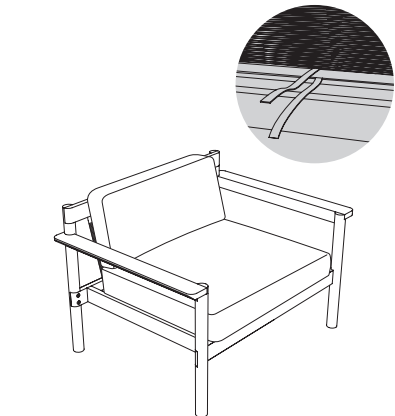
**4** Lower the Back Support onto the Roped Back by fitting tabs into corresponding slots.



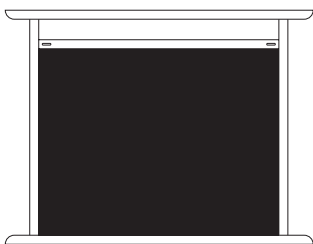
**5** Fasten the Back Support to the Arms  
4x 40mm Hex Bolt



**6** Add cushions. Secure Seat Cushion to Backrest and adjust leveling feet as needed.



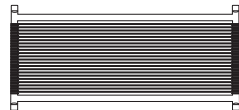
## Parts



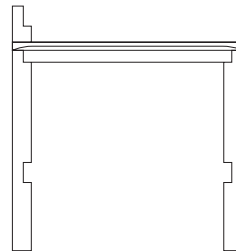
1x Seat Base



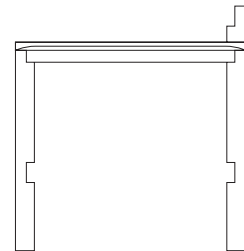
1x Back Support



1x Roped Back



1x Left Arm



1x Right Arm

## Cushions



1x Seat Cushion



1x Back Cushion

## Hardware



8x 30 mm Hex Bolt



4x 40 mm Hex Bolt



1x Hex Ratchet

Have questions, comments, or feedback? Reach out at [support@hineighbor.com](mailto:support@hineighbor.com)

**⚠** • Do NOT use a drill while assembling  
• Assemble all parts on a soft surface