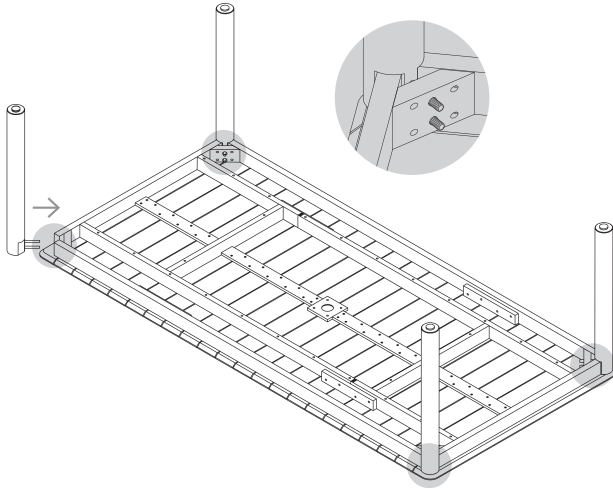




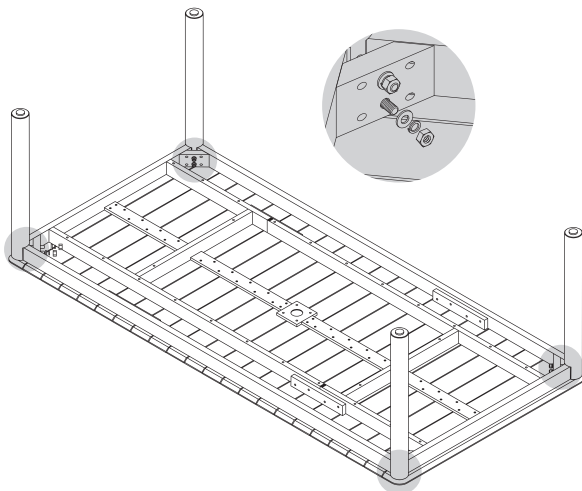
HAVEN COLLECTION

8-Seat Dining Table

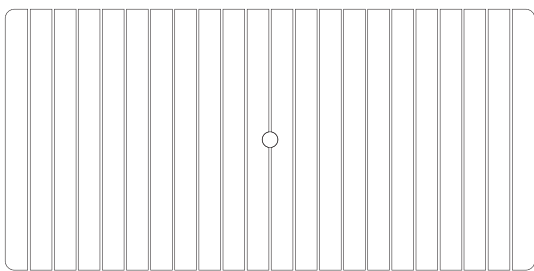
- 1 On a soft surface, lay the Dining Top upside down. Then, gently align legs with the threaded holes on each corner.



- 2 Fasten each leg to the Dining Top. When tight, flip the table over with some help from a friend. Enjoy!
4x Flat Washer, 4x Spring Washer, 4x Hex Nut



Parts



1x Dining Top

4x Leg

Hardware



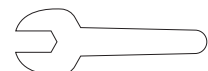
8x Hex Nut



8x Flat Washer



8x Spring Washer



1x Wrench