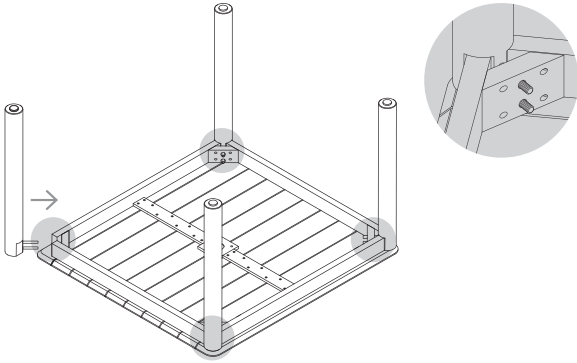




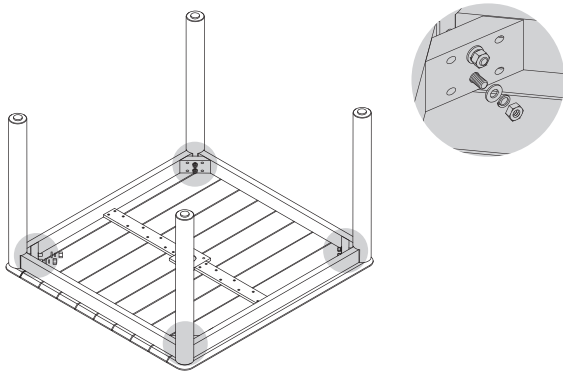
HAVEN COLLECTION

# 4-Seat Square Dining Table

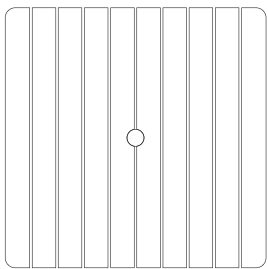
- 1 On a soft surface, lay the Dining Top upside down. Then, gently align legs with the threaded holes on each corner.



- 2 Fasten each leg to the Dining Top. When tight, flip the table over with some help from a friend. Enjoy!  
8x Flat Washer, 8x Spring Washer, 8x Hex Nut



## Parts



1x Dining Top



4x Leg

## Hardware



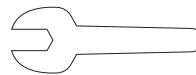
8x Hex Nut



8x Flat Washer



8x Spring Washer



1x Wrench