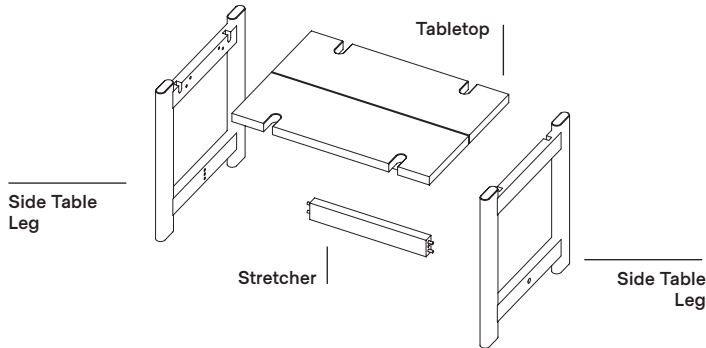


☐ Fellow Side Table



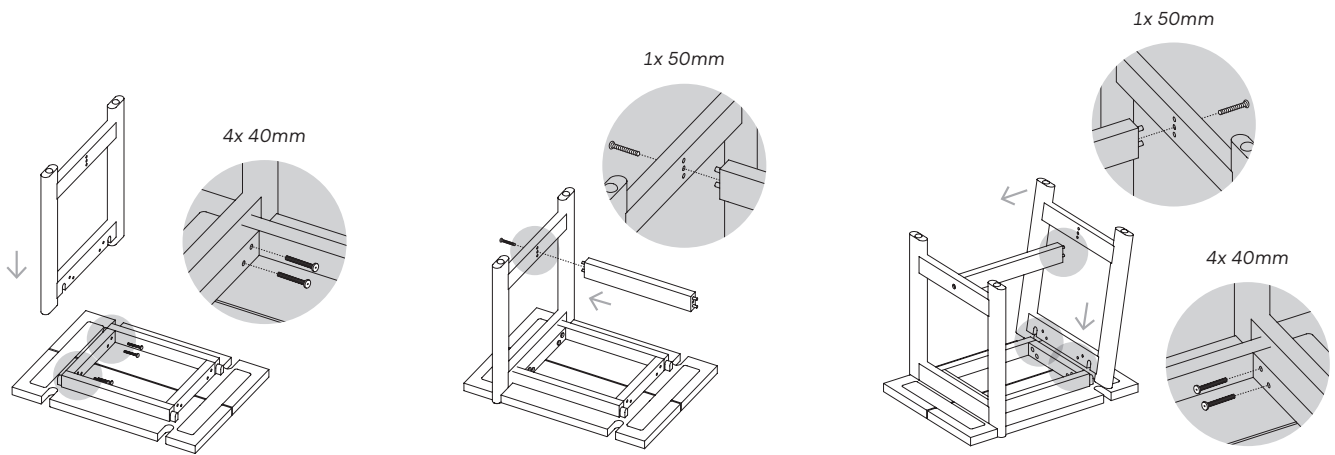
How it all fits together



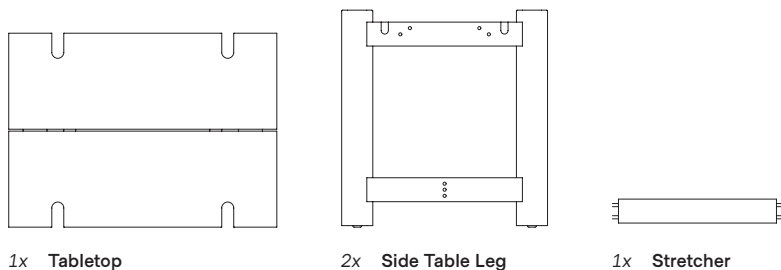
1 Lay Tabletop down and attach one Side Table Leg.
4x 40mm Hex Bolts, Side Table Leg, and Tabletop

2 Carefully attach Stretcher to Side Table Leg. Get help from a second person to support it after installing.
1x 50mm, and Stretcher

3 Place second Side Table Leg. Insert into Tabletop holes at an angle and carefully rotate onto Stretcher dowels.
1x 50mm & 4x 40mm Hex Bolt, and Side Table Leg



Parts



Hardware

