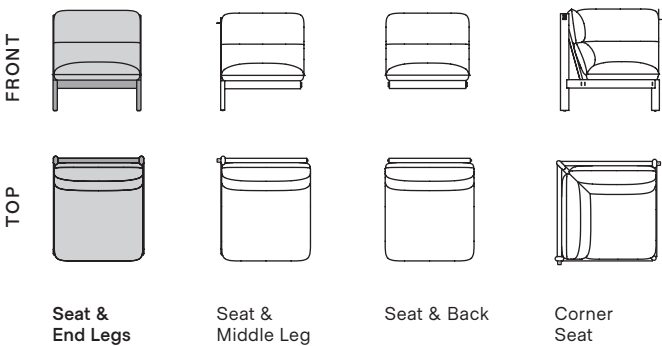


FELLOE COLLECTION

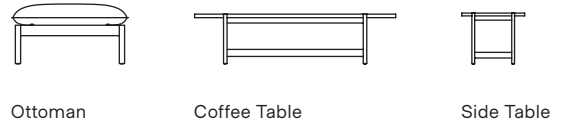
# Seat & End Legs

Felloe's modular components are designed to let you configure your own perfect outdoor seating. Easy to assemble and add to with a simple shared-leg design.

Seating Modules



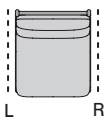
Other Accompanying Pieces



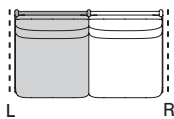
Start with one of our most popular shapes or create your own.

\*Begin by assembling the far left module first, which can be found in this box (Seat & End Legs).

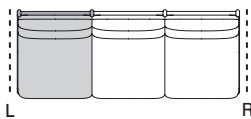
Chair



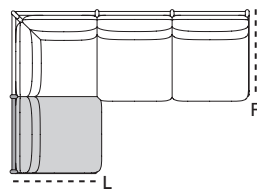
Loveseat



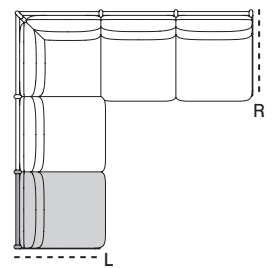
Sofa



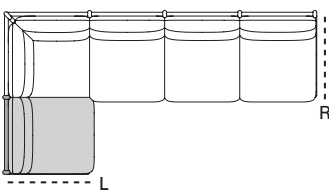
4-Piece Sectional



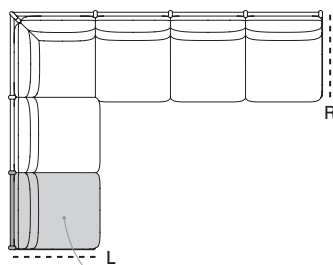
5-Piece Symmetrical Sectional



5-Piece Sectional



6-Piece Sectional



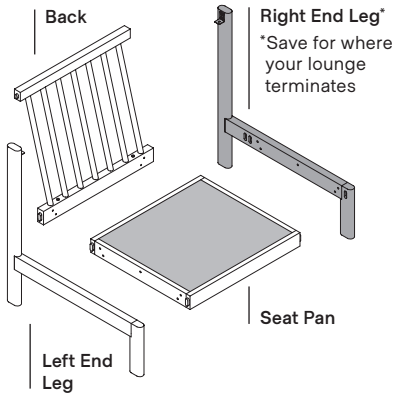
Indicates End Leg in this box (L=Left, R=Right)

Indicates seat module in this box

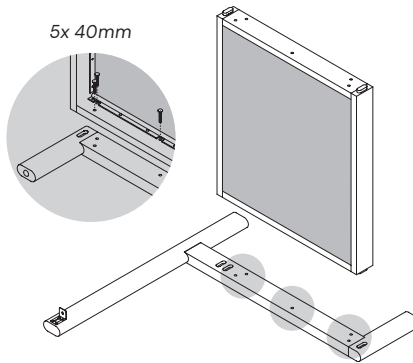
\* TIP: Begin assembling your sectional with the module found in this box (Seat & End Legs Box)



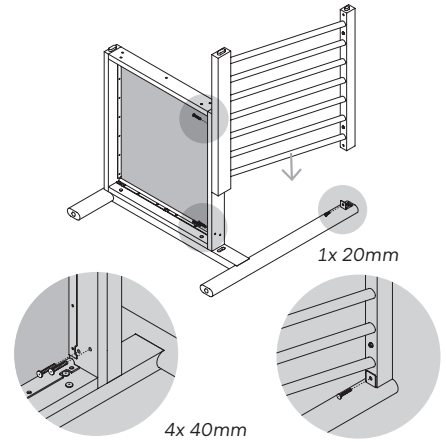
How it all fits together



1 Lay Left End Leg down and attach Seat Pan.  
5x 40mm Hex Bolts, Left Leg, and Seat Pan



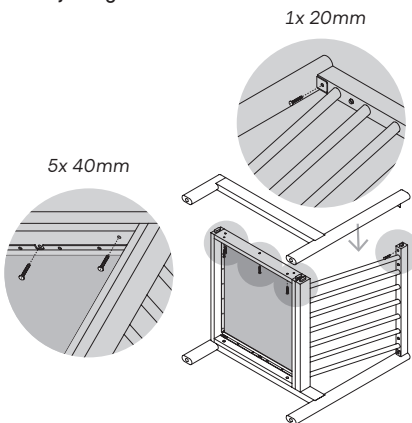
2 Attach Back to Seat Pan and Left End Leg.  
4x 40mm, 1x 20mm Hex Bolt, and Back



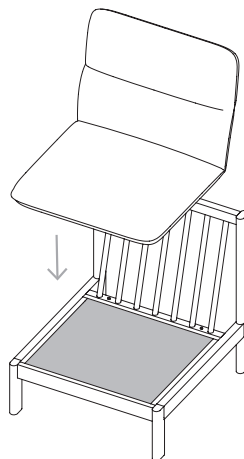
3 If building a Chair, attach the Right End Leg to the Back and Seat Pan.  
6x Hex Bolt, and Right End Leg

If building another seating configuration, set aside to connect with adjoining module.

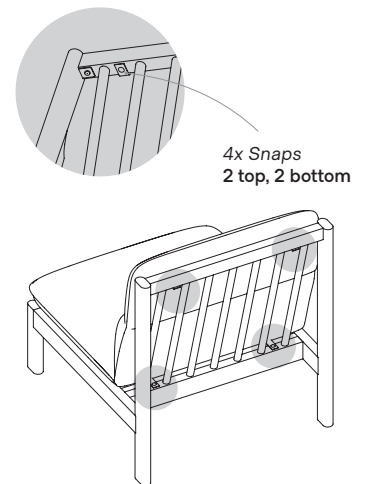
5x 40mm, 1x 20mm Hex Bolts, and Adjoining Module



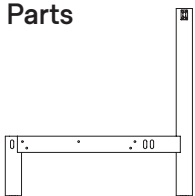
4 With help from two people, flip over assembled Seat Frame, then place Seat Cushion.  
Seat Cushion



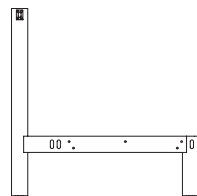
5 Snap cushion to the top and bottom of the Back.



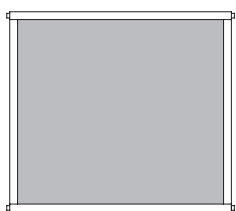
Parts



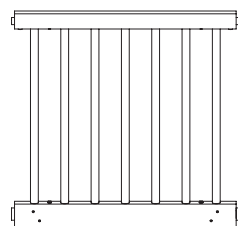
1x Left End Leg



1x Right End Leg



1x Seat Pan



1x Back

Hardware



2x 20mm Hex Bolt



14x 40mm Hex Bolt



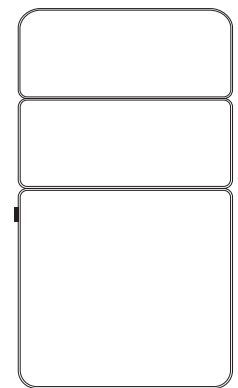
1x Hex Ratchet



1x Allen Wrench

Cushion

(Packaged Separately)



1x Seat Cushion