

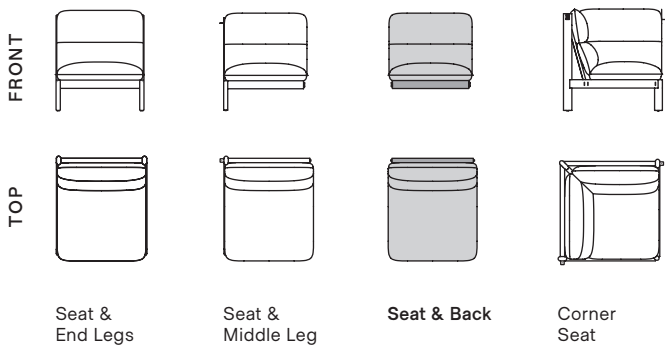


FELLOE COLLECTION

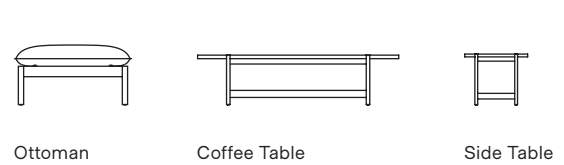
Seat & Back

Felloe's modular components are designed to let you configure your own perfect outdoor seating. Easy to assemble and add to with a simple shared-leg design.

Seating Modules

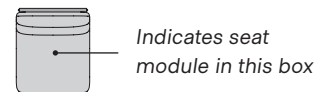


Other Accompanying Pieces



Start with one of our most popular shapes or create your own.

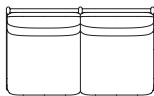
*Begin by assembling the far left module first, which can be found in the Seat & End Legs Box.



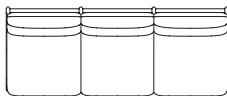
Chair



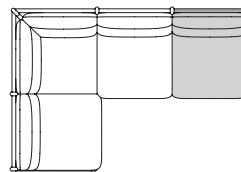
Loveseat



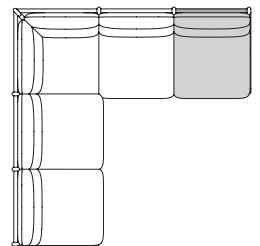
Sofa



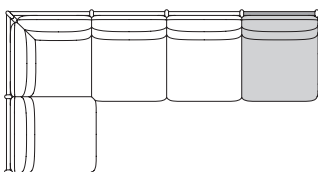
4-Piece Sectional



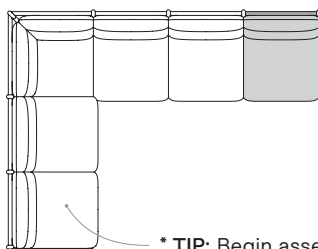
5-Piece Symmetrical Sectional



5-Piece Sectional



6-Piece Sectional

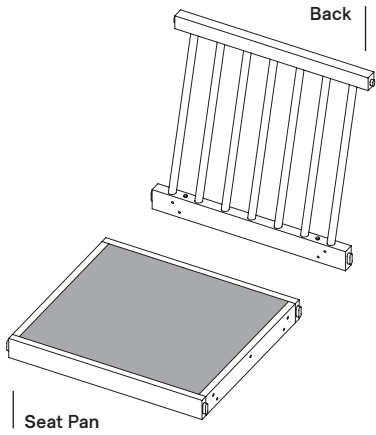


* TIP: Begin assembling your sectional with this module (Seat & End Legs Box)

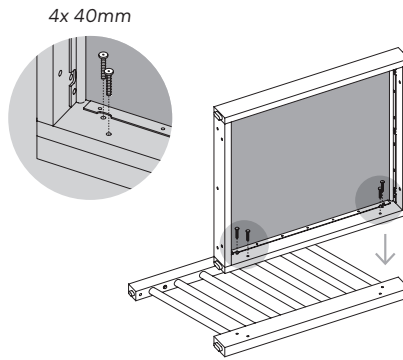


Seat Back

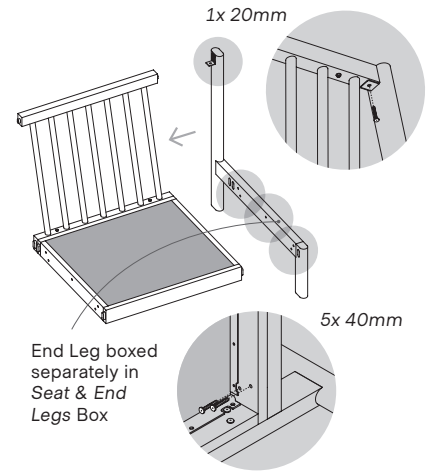
How it all fits together



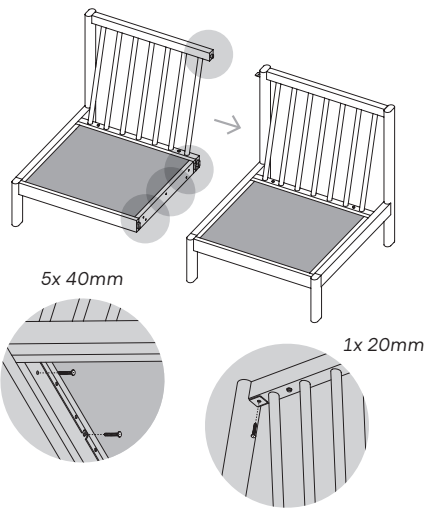
1 Attach Back and Seat Pan.
4x 40mm Hex Bolts, Back, and Seat Pan



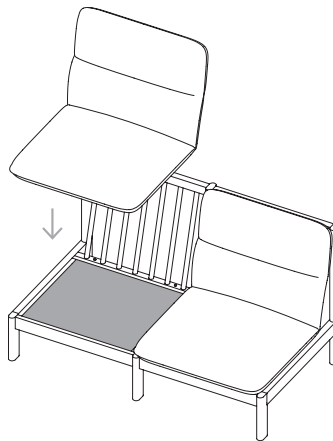
2 Attach End Leg* to Seat Pan and Back from the Seat & End Legs Box (*boxed separately).
5x 40mm, 1x 20mm Hex Bolt, and End Leg



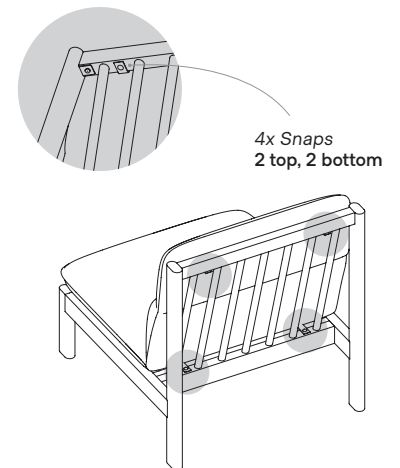
3 Connect to adjacent module.
5x 40mm, 1x 20mm Hex Bolts, and Adjoining Module



4 With help from two people, flip over assembled Seat Frame, then place Seat Cushion.
Seat Cushion



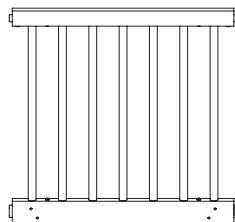
5 Snap cushion to the top and bottom of the Back.



Parts

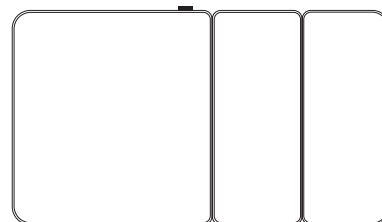


1x Seat Pan



1x Back

Cushion (Packaged Separately)



1x Seat Cushion

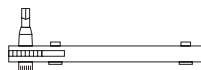
Hardware



2x 20mm Hex Bolt



14x 40mm Hex Bolt



1x Hex Ratchet



1x Allen Wrench

Have questions, comments, or feedback? Reach out at support@hineighbor.com

⚠ • Do NOT use a drill while assembling
• Assemble all parts on a soft surface