

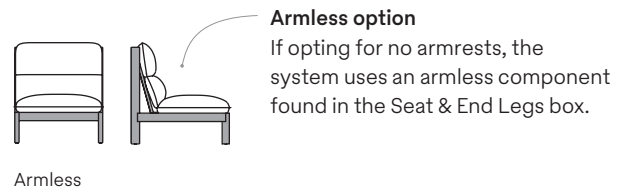
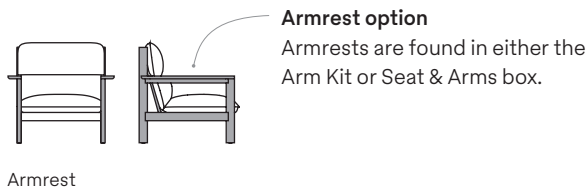
FELLOE COLLECTION

Seat & Arms

First, meet Felloe's components. This system is designed to let you configure your own perfect outdoor seating configuration. It's easy to assemble and add to with a simple shared-leg design.



Next, identify the arm style. Your Felloe seating configuration can be built with one of two arm style options, shown below. Identify your arm style and the box(es) they're packed in to begin.

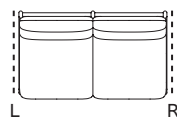


Then, start assembling one of our most popular shapes... or create your own.

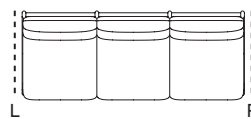
Begin with the left module. Use Seat & Arms if it has arms, or Seat & End Legs if armless. Attach both legs/arms for a chair; for larger configurations, attach the right arm/leg at the end of the build, once all other modules are in place.

Depending on your chosen arm style, this indicates an End Leg or an Armrest component (L=Left, R=Right). Armrest components are packed inside this box (Felloe Seat & Arms Box).

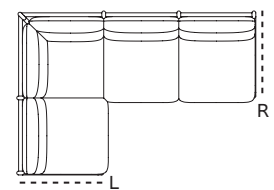
Loveseat



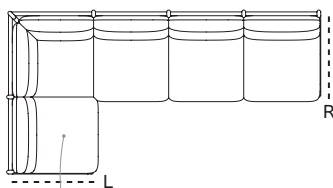
Sofa



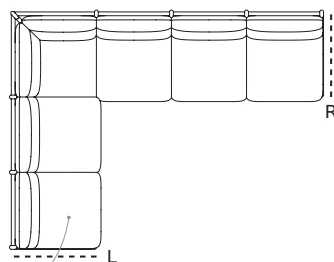
4-Piece Sectional



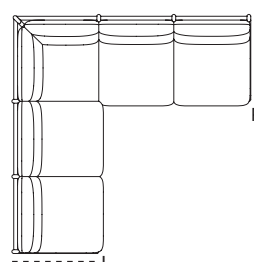
5-Piece Sectional



6-Piece Sectional



5-Piece Symmetrical Sectional



*** TIP:** Begin assembling your sectional with the module farthest to the Left

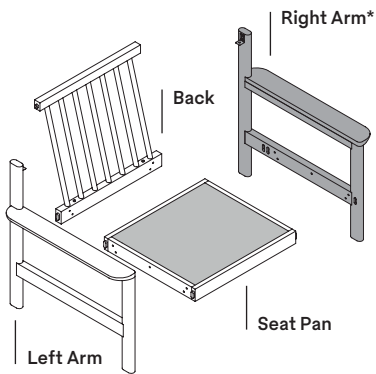


Seat & Arms

Have questions, comments, or feedback?
Reach out at support@hineighbor.com

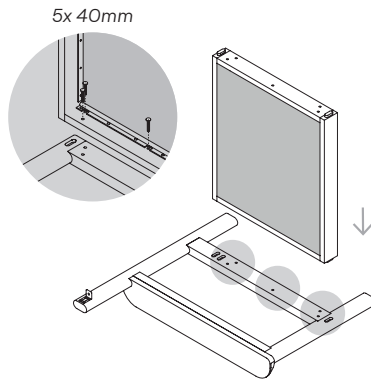
neighbor

How it all fits together

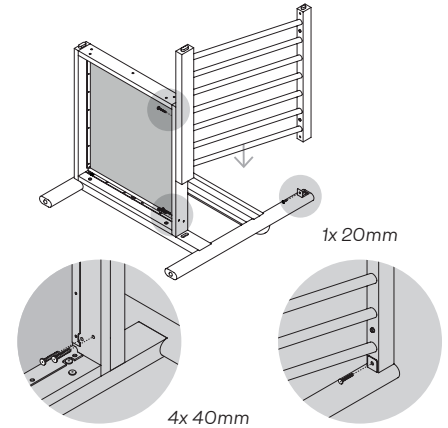


*Save for where your lounge terminates, unless you're assembling a chair.

- 1 Lay Left Arm down and attach Seat Pan.
5x 40mm Hex Bolts, Left Arm, and Seat Pan

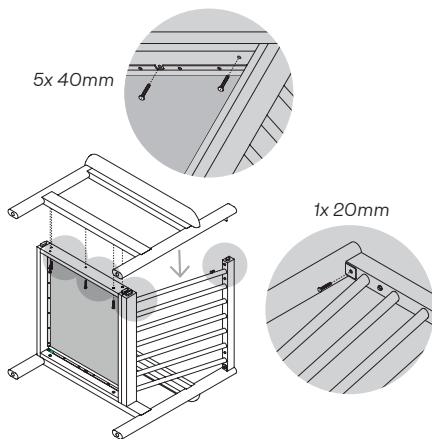


- 2 Attach Back to Seat Pan and Left Arm.
4x 40mm, 1x 20mm Hex Bolts, and Back

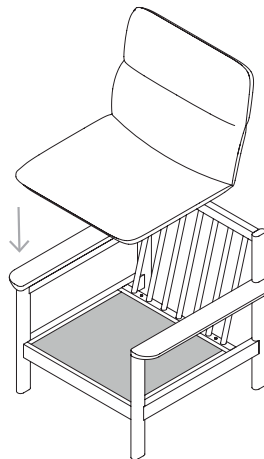


- 3 If building a Chair, attach the Right Arm to the Back and Seat Pan.
6x Hex Bolts, and Right Arm if a Chair

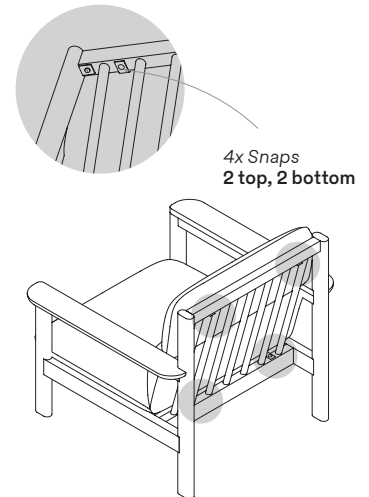
If building another seating configuration, set Right Arm aside to connect with adjoining module.



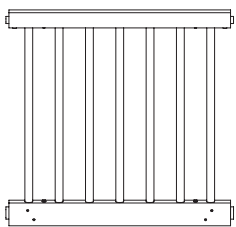
- 4 With help from two people, flip over assembled Seat Frame, then place Seat Cushion.
Seat Cushion



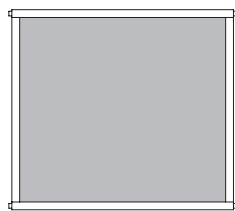
- 5 Snap cushion to the top and bottom of the Back.



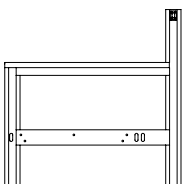
Parts



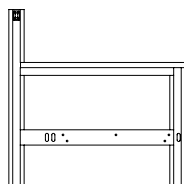
1x Back



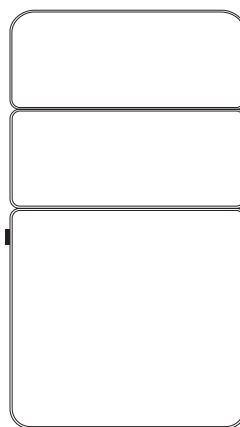
1x Seat Pan



1x Left Arm



1x Right Arm*



1x Seat Cushion
(Packaged separately)

Hardware

- ⚠ Do NOT use a drill while assembling
- Assemble all parts on a soft surface



2x 20mm Hex Bolt



14x 40mm Hex Bolt



1x Hex Ratchet



1x Allen Wrench

*Save for where your lounge terminates, unless you're assembling a chair.