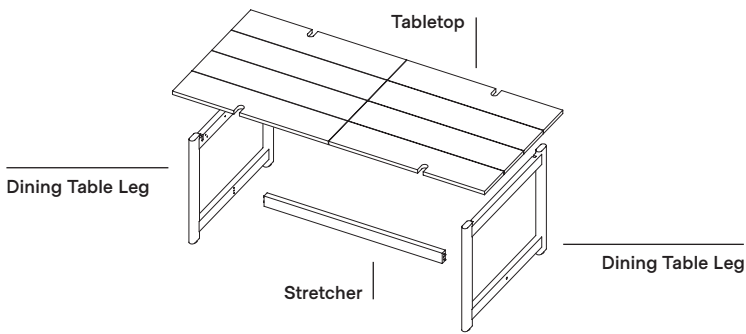


# Felloe Dining Table



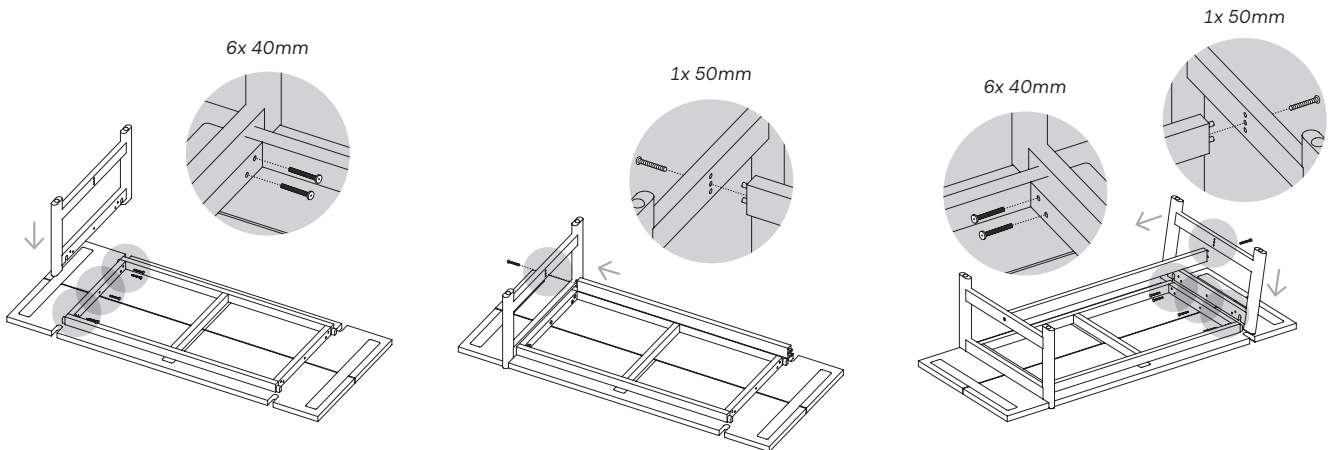
## How it all fits together



**1** Lay Tabletop down and attach one Dining Table Leg.  
6x 40mm Hex Bolts, Dining Table Leg, and Tabletop

**2** Carefully attach Stretcher to Dining Table Leg. Get help from a second person to support it after installing.  
1x 50mm, and Stretcher

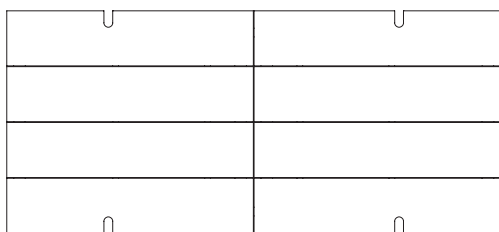
**3** Place second Dining Table Leg. Insert into Tabletop holes at an angle and carefully rotate onto Stretcher dowels.  
1x 50mm & 4x 40mm Hex Bolt, and Dining Table Leg



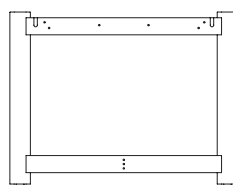
### Parts



1x Stretcher



1x Tabletop



2x Dining Table Leg

### Hardware



12x 40mm Hex Bolt



2x 50mm Hex Bolt



1x Hex Ratchet



1x Allen Wrench