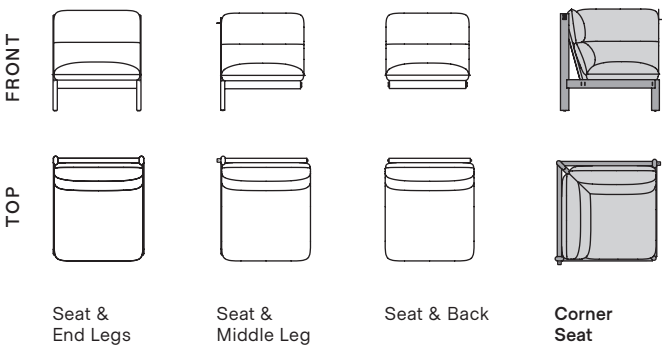


FELLOE COLLECTION

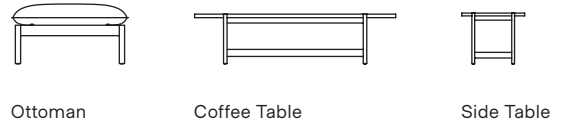
# Corner Seat

Felloe's modular components are designed to let you configure your own perfect outdoor seating. Easy to assemble and add to with a simple shared-leg design.

### Seating Modules



### Other Accompanying Pieces



Start with one of our most popular shapes or create your own.

\*Begin by assembling the far left module first, which can be found in the Seat & End Legs Box.

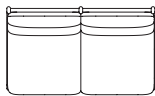


Indicates seat module in this box

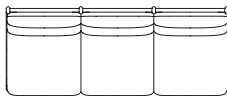
### Chair



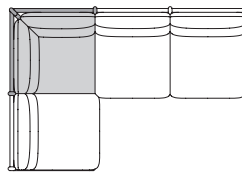
### Loveseat



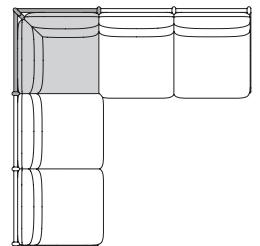
### Sofa



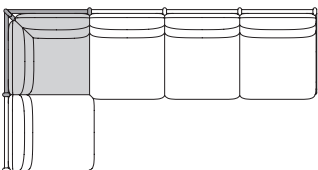
### 4-Piece Sectional



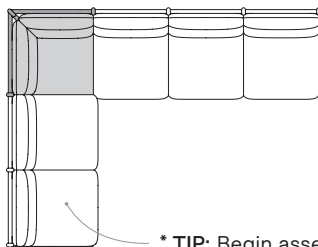
### 5-Piece Symmetrical Sectional



### 5-Piece Sectional



### 6-Piece Sectional



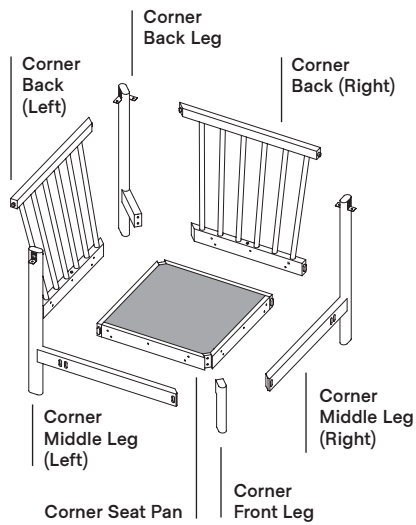
\* TIP: Begin assembling your sectional with this module (Seat & End Legs Box)



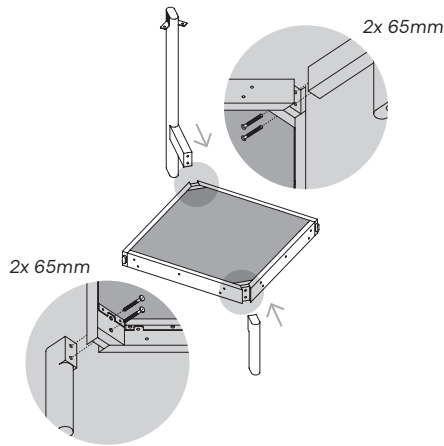
# Corner Seat

neighbor

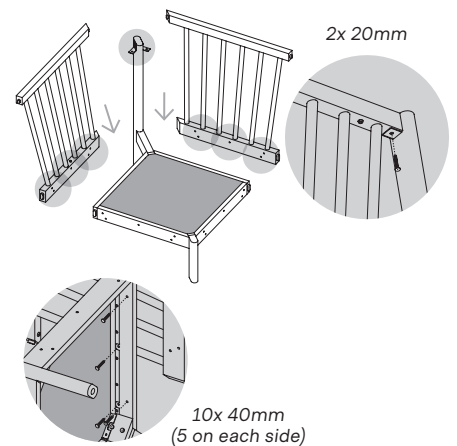
## How it all fits together



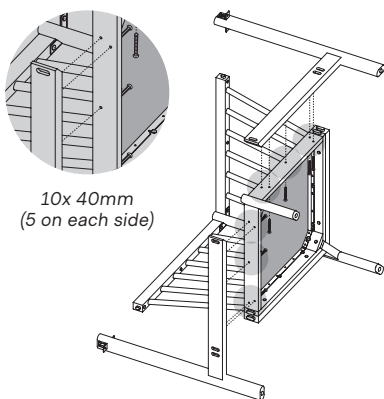
**1** Attach Corner Front Leg and Corner Back Leg to Corner Seat Pan.  
4x 65mm Hex Bolts, Corner Front Leg, Corner Back Leg, and Corner Seat Pan



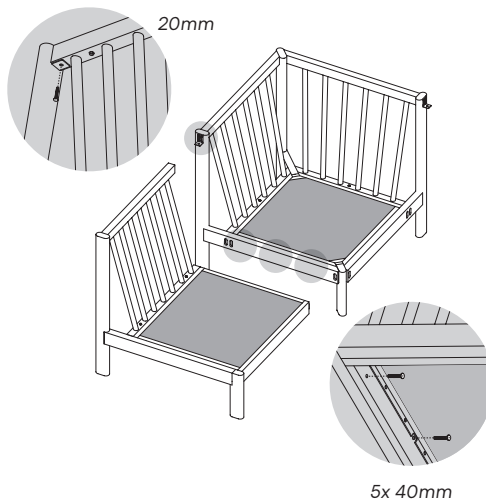
**2** Attach Corner Backs to Corner Seat Pan.  
10x 40mm, 2x 20mm Hex Bolt, and Corner Back (Left and Right)



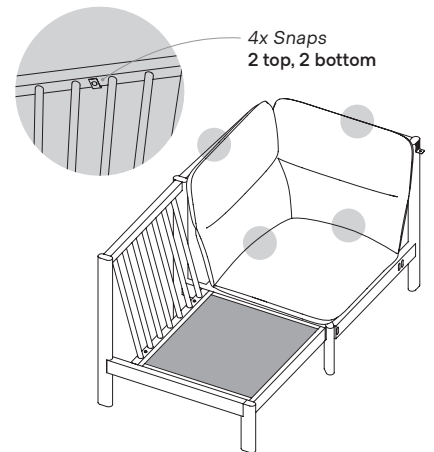
**3** Connect Corner Middle Legs.  
10x 40mm Hex Bolt, Corner Middle Legs (Left & Right)



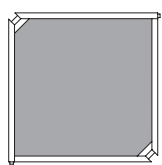
**4** Attach to adjoining module.  
5x 40mm, 20mm



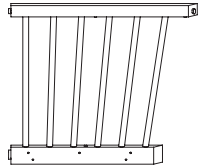
**5** After placing Cushion, snap it to the top and bottom of the Back.  
Corner Cushion



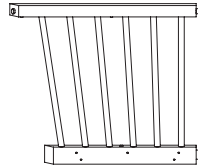
## Parts



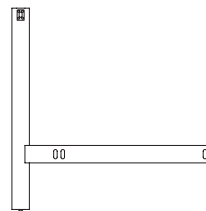
1x Corner Seat Pan



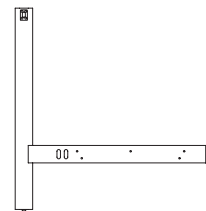
1x Corner Back Left



1x Corner Back Right



1x Corner Middle Leg Left



1x Corner Middle Leg Right



1x Corner Front Leg



1x Corner Back Leg

## Hardware



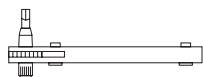
4x 20mm Hex Bolt



20x 40mm Hex Bolt



4x 65mm Hex Bolt

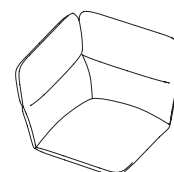


1x Hex Ratchet



1x Allen Wrench

## Cushion (Packaged Separately)



1x Corner Seat Cushion

Have questions, comments, or feedback? Reach out at [support@hineighbor.com](mailto:support@hineighbor.com)

- ⚠ Do NOT use a drill while assembling
- Assemble all parts on a soft surface