

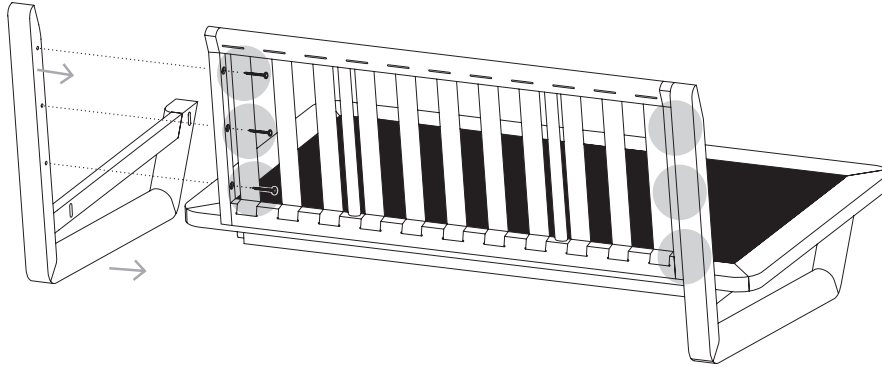
DWELLER COLLECTION

Settee

- ⚠ Do NOT use a drill while assembling
- Assemble all parts on a soft surface

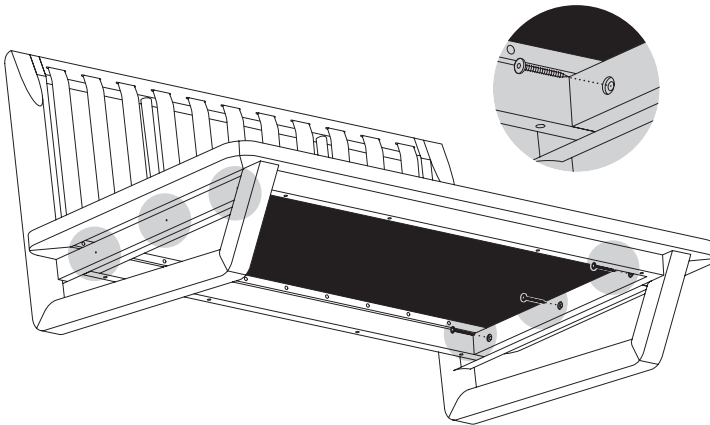
1 Connect Left and Right Legs to Seat Base and Backrest. Then, fasten Backrest to legs with six 40mm Hex Bolts.

6x 40mm Bolt

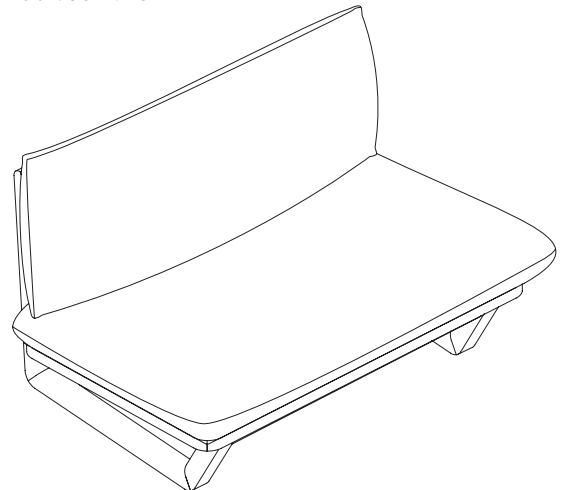


2 Secure base to legs with six 40mm Bolts.

6x 40mm Bolt



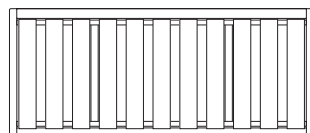
3 Add cushions.



Parts



1x Seat Base



1x Backrest

Cushions

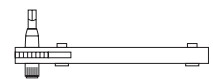


1x Seat Cushion

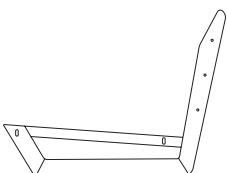
Hardware



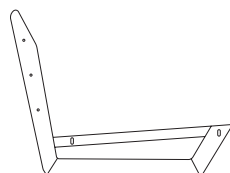
12x 40mm Hex Bolt



1x Hex Ratchet



1x Left Leg



1x Right Leg



1x Back Cushion