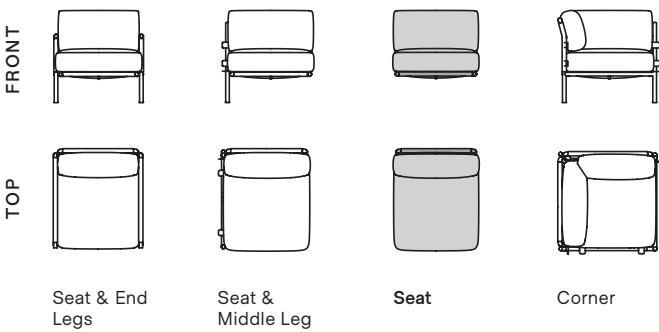


CAMBER COLLECTION

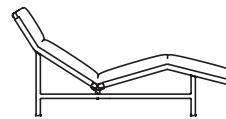
Seat

Camber's modular components are designed to let you configure your own perfect outdoor seating. Easy to assemble and add to with a simple shared-leg design.

Seating Modules



Other Accompanying Pieces



Chaise Lounge Chair

Start with one of our most popular shapes or create your own.

*Begin by assembling the Corner Module first, which can be found in the Corner boxes.

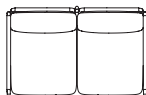


Indicates seat module in this box

Chair



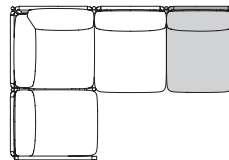
Loveseat



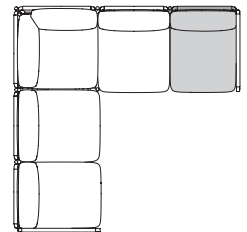
Sofa



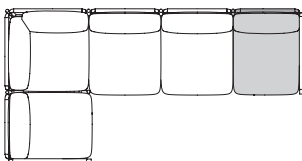
4-Piece Sectional



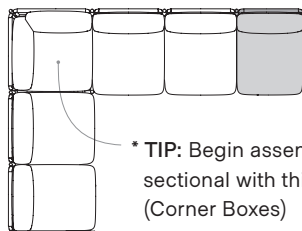
5-Piece Symmetrical Sectional



5-Piece Sectional



6-Piece Sectional

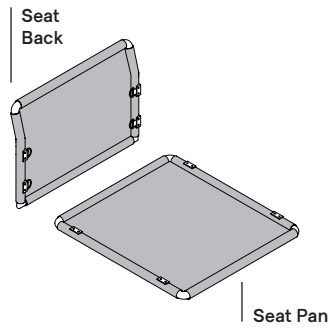


* TIP: Begin assembling your sectional with this module (Corner Boxes)

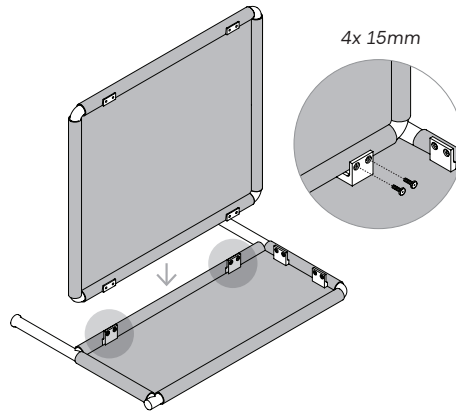


Seat

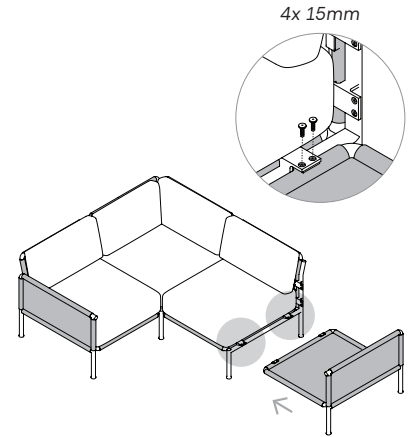
How it all fits together



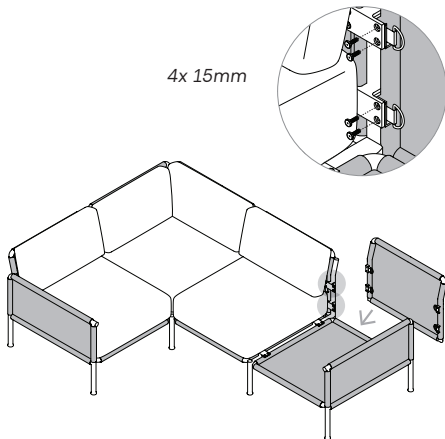
1 Find Arm (in Seat & End Legs Box) and attach to Seat Pan.
4x 15mm Hex Bolts, Left or Right Arm, and Seat Pan



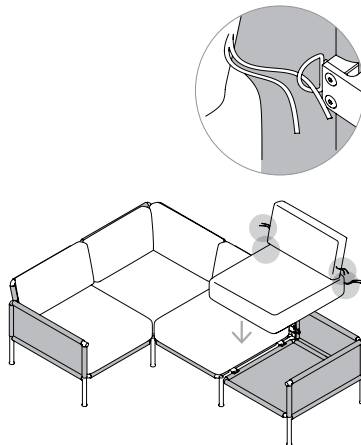
2 Attach to the adjoining module.
4x 15mm, Assembly Box



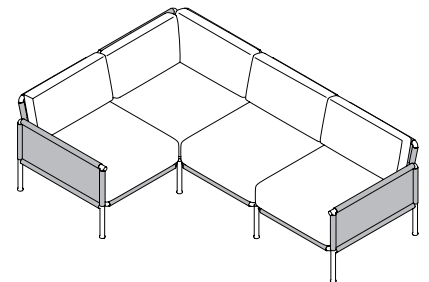
3 Attach the Seat Back. Fully tighten all bolts.
4x 15mm Hex Bolt and Back



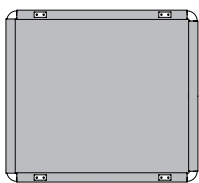
4 Place cushions and attach to Seat Back by tying to D-rings.
Seat Cushion



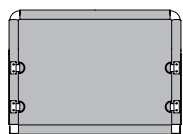
5 That's it, you're finished. It's time to lounge!



Parts

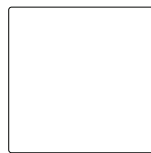


1x Seat Pan

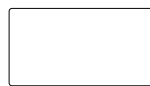


1x Seat Back

Cushions (packaged separately)



1x Seat Cushion

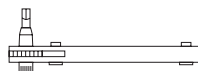


1x Back Cushion

Hardware



16x 15mm Hex Bolt



1x Hex Ratchet