

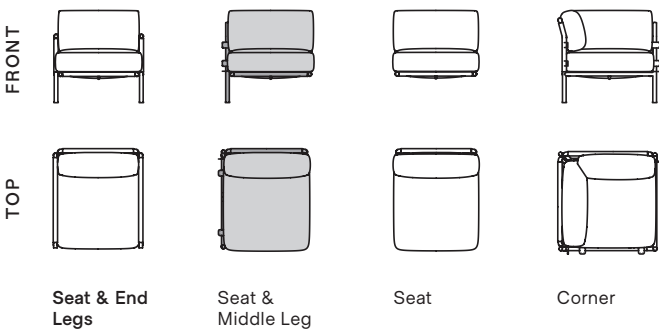


CAMBER COLLECTION

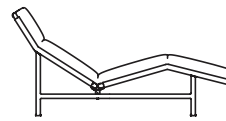
Seat & Middle Leg

Camber's modular components are designed to let you configure your own perfect outdoor seating. Easy to assemble and add to with a simple shared-leg design.

Seating Modules



Other Accompanying Pieces



Chaise Lounge Chair

Start with one of our most popular shapes or create your own.

*Begin by assembling the corner module first, which can be found in the Corner Module boxes.

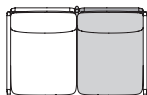


Indicates seat module in this box

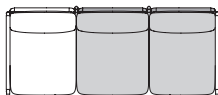
Chair



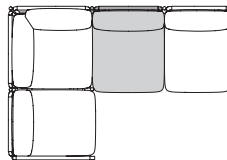
Loveseat



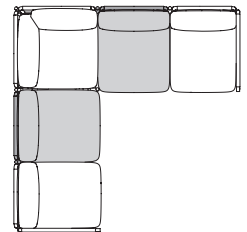
Sofa



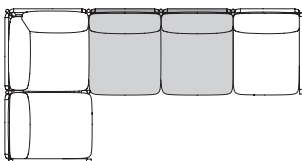
4-Piece Sectional



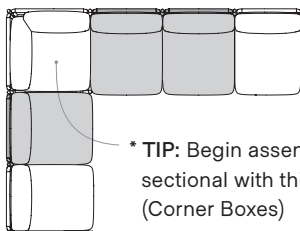
5-Piece Symmetrical Sectional



5-Piece Sectional



6-Piece Sectional



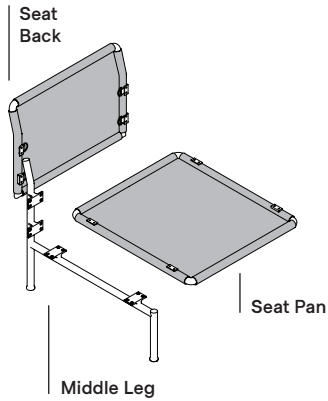
* TIP: Begin assembling your sectional with this module (Corner Boxes)



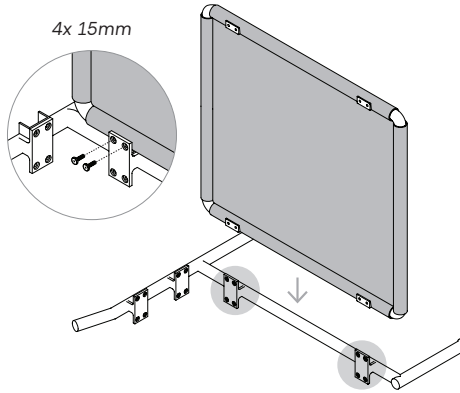
Seat & Middle Leg

neighbor

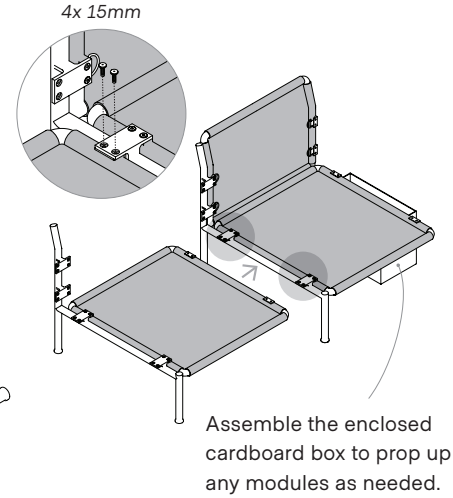
How it all fits together



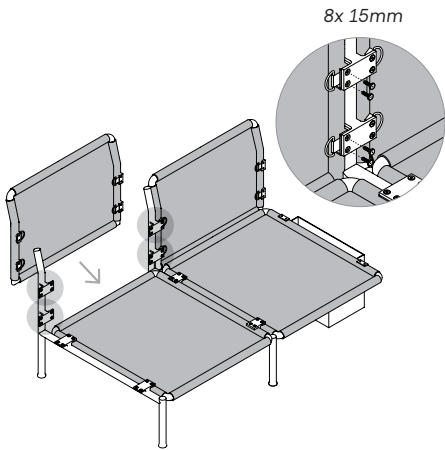
- 1 Lay Middle Leg down and attach Seat Pan.
4x 15mm Hex Bolts, Middle Leg, and Seat Pan



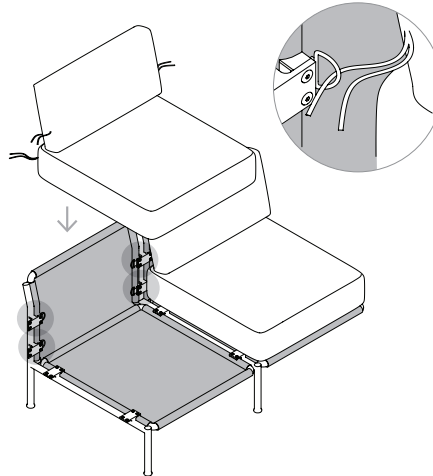
- 2 Attach to the adjoining module.
4x 15mm, Assembly Box



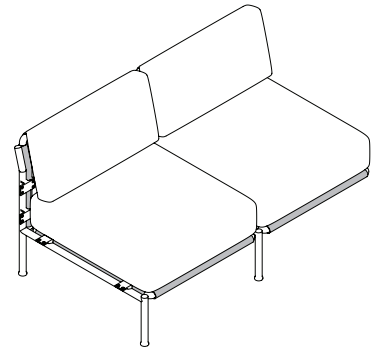
- 3 Attach the Seat Back to Middle Legs.
Fully tighten all bolts.
8x 15mm Hex Bolt and Back



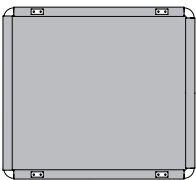
- 4 Place cushions and attach to Seat Back by tying to D-rings.
Seat Cushion



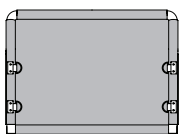
- 5 Connect to any adjoining modules. Then you're finished. Time to lounge!



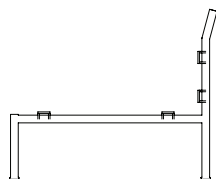
Parts



1x Seat Pan

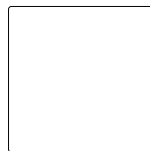


1x Seat Back



1x Middle Leg

Cushions (packaged separately)



1x Seat Cushion

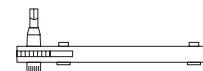


1x Back Cushion

Hardware



16x 15mm Hex Bolt



1x Hex Ratchet