

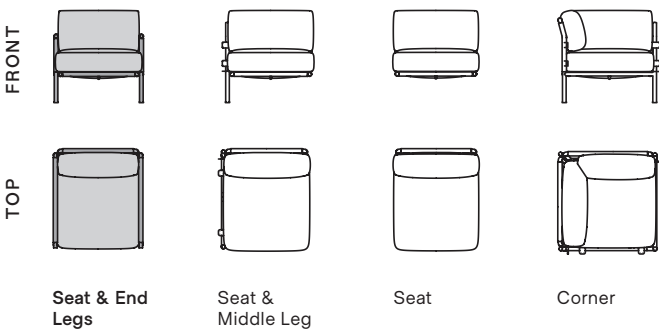


CAMBER COLLECTION

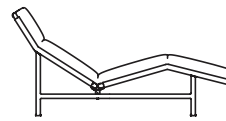
Seat & End Legs

Camber's modular components are designed to let you configure your own perfect outdoor seating. Easy to assemble and add to with a simple shared-leg design.

Seating Modules



Other Accompanying Pieces

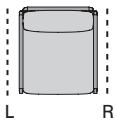


Chaise Lounge Chair

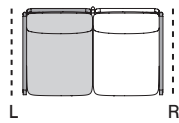
Start with one of our most popular shapes or create your own.

*Begin by assembling the Corner Module first, which can be found in the Corner boxes.

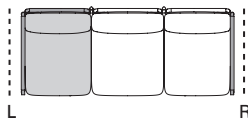
Chair



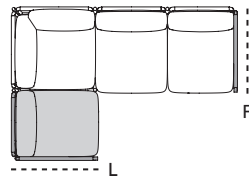
Loveseat



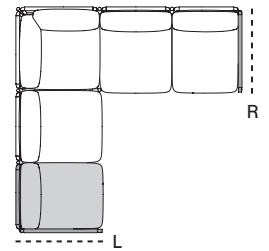
Sofa



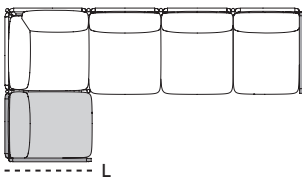
4-Piece Sectional



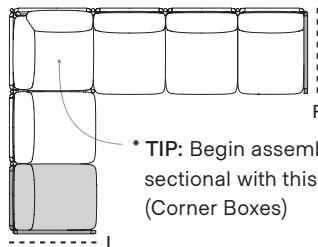
5-Piece Symmetrical Sectional



5-Piece Sectional



6-Piece Sectional

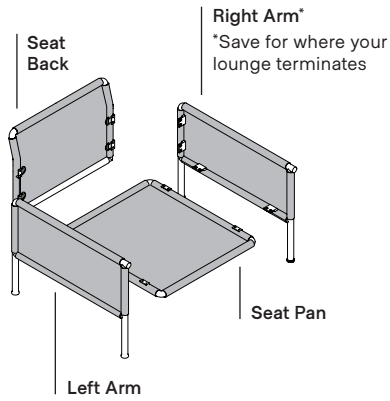


Indicates End Leg in this box (L=Left, R=Right)

Indicates seat module in this box

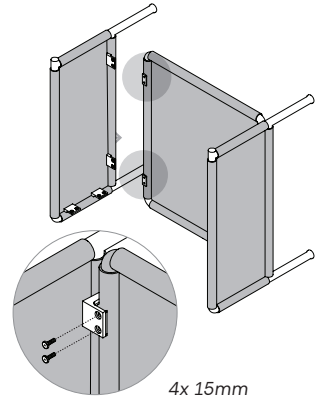
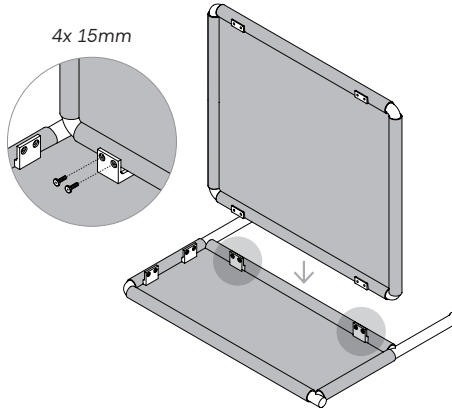


How it all fits together



1 Lay Left Arm down and attach Seat Pan.
4x 15mm Hex Bolts, Left Arm, and Seat Pan

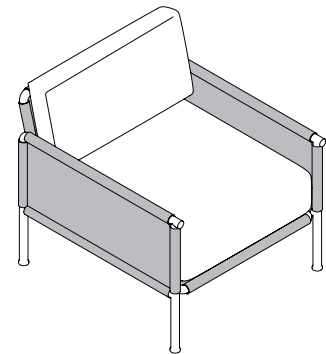
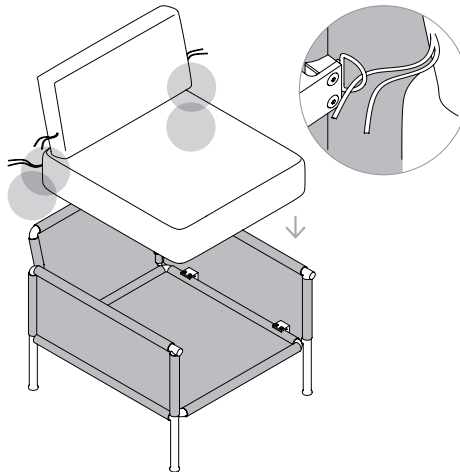
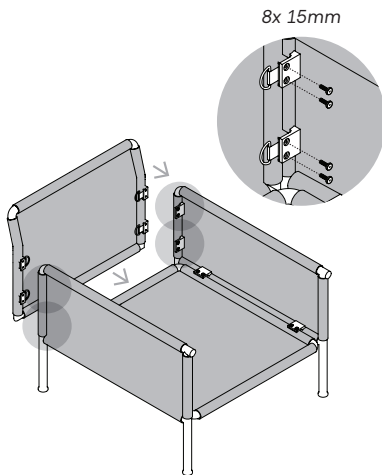
2 If building a chair, attach Right Arm. Otherwise, attach it to the opposite side of seating configuration when complete.
4x 15mm, and Right Arm



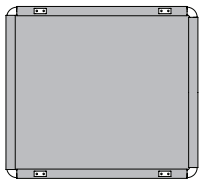
3 Attach the Seat Back to each Arm. Fully tighten all bolts.
8x 15mm Hex Bolt and Back

4 Place cushions and attach to Seat Back by tying to D-rings.
Seat Cushion

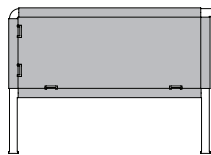
5 That's it; you're finished. It's time to lounge!



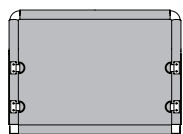
Parts



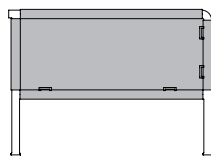
1x Seat Pan



1x Right Arm



1x Seat Back



1x Left Arm

Cushions (packaged separately)



1x Seat Cushion



1x Back Cushion

Hardware



16x 15mm Hex Bolt



1x Hex Ratchet