

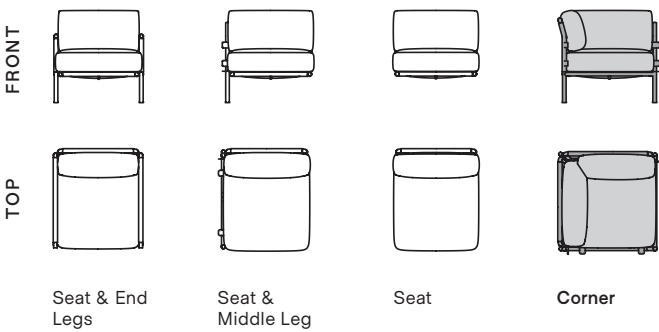


CAMBER COLLECTION

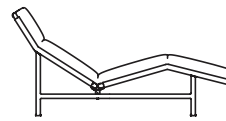
# Corner

Camber's modular components are designed to let you configure your own perfect outdoor seating. Easy to assemble and add to with a simple shared-leg design.

### Seating Modules



### Other Accompanying Pieces



Chaise Lounge Chair

Start with one of our most popular shapes or create your own.

\*Begin by assembling the Corner Module first, which can be found in the Corner Module boxes.



Indicates seat module in this box

Chair



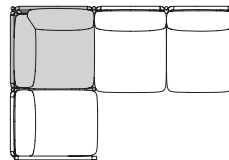
Loveseat



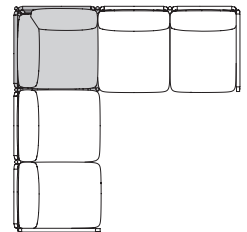
Sofa



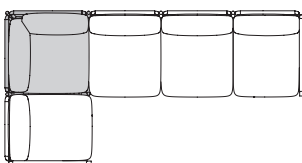
4-Piece Sectional



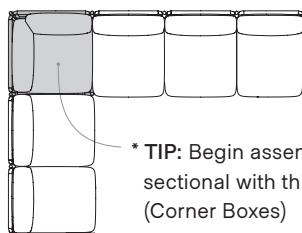
5-Piece Symmetrical Sectional



5-Piece Sectional



6-Piece Sectional



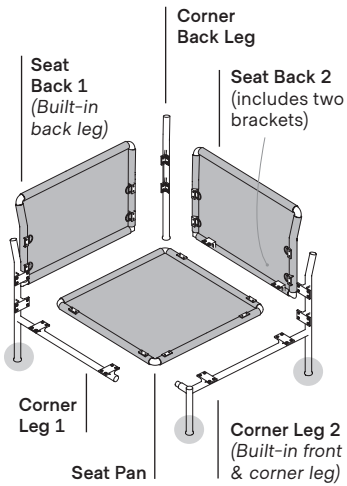
\* TIP: Begin assembling your sectional with this module (Corner Boxes)



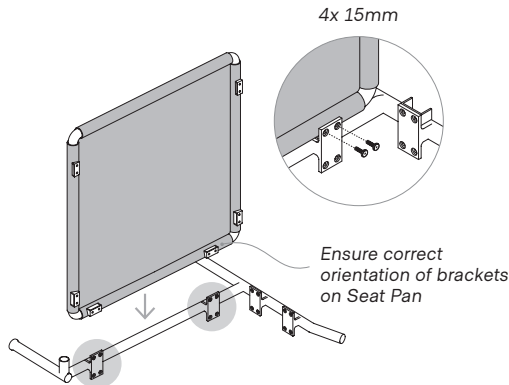
# Corner

neighbor

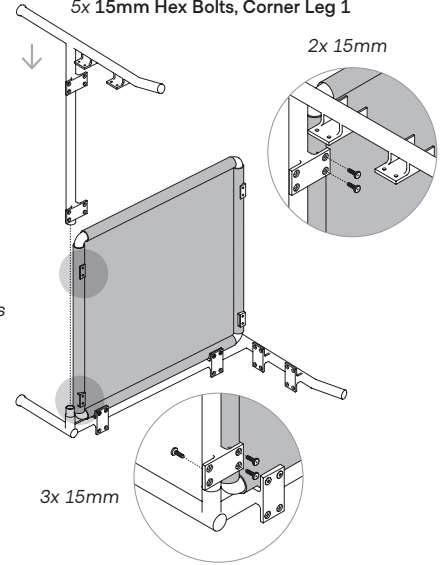
## How it all fits together



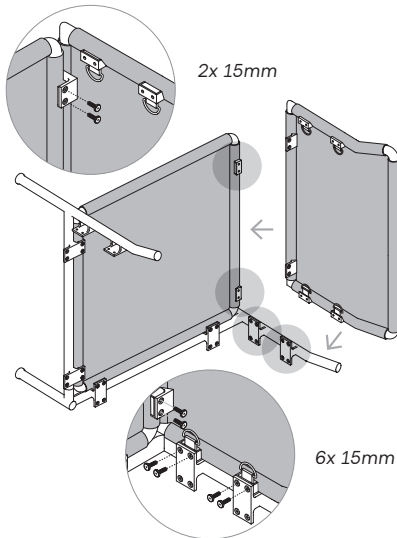
**1** Attach Seat Pan to Corner Leg 2.  
 4x 15mm Hex Bolts, Seat Pan, and Corner Leg 2



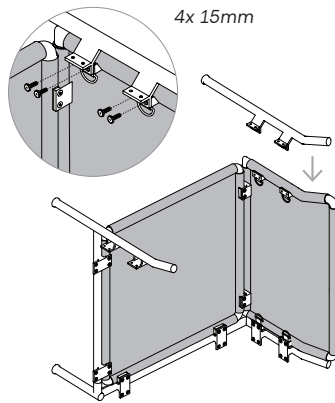
**2** Fit Corner Leg 1 into Corner Leg 2, then attach to Seat Pan.  
 5x 15mm Hex Bolts, Corner Leg 1



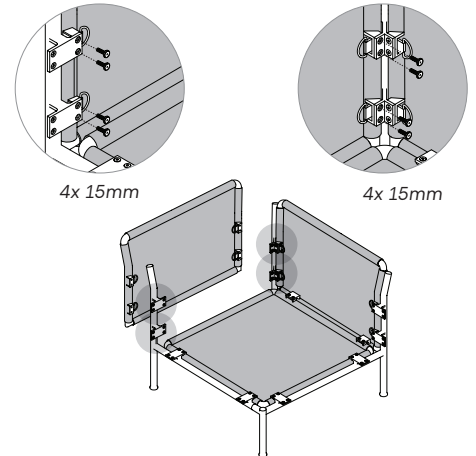
**3** Attach Seat Back 2.  
 8x 15mm Hex Bolts and Seat Back 2



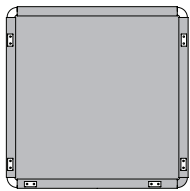
**4** Attach Corner Back Leg to Seat Back 2.  
 Corner Leg and 4x 15mm Hex Bolts



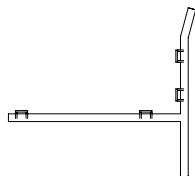
**5** Attach Seat Back 1 to Corner Legs 1 and 2. Tighten all bolts, then add cushions. You're done; time to lounge!  
 8x 15mm Hex Bolts, Seat Back 1 and Cushions



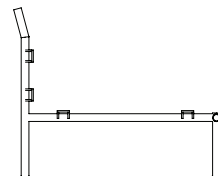
## Parts



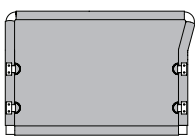
1x Seat Pan



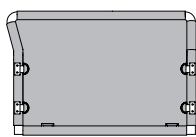
1x Corner Leg 1



1x Corner Leg 2



1x Seat Back 1

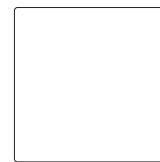


1x Seat Back 2



1x Corner Back Leg

## Cushions (packaged separately)



1x Base Cushion



1x Back Cushion 1

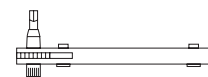


1x Back Cushion 2

## Hardware



29x 15mm Hex Bolt



1x Hex Ratchet