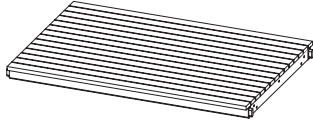


BLUFF COLLECTION

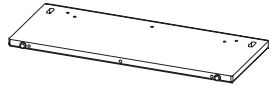
Stand Alone Coffee Table

⚠ • Do NOT use a drill while assembling
• Assemble all parts on a soft surface

Components

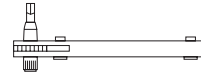


1x Top



2x Leg

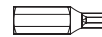
Hardware



1x Hex Ratchet



10x 45mm Hex Bolt



1x 5mm Hex Drive

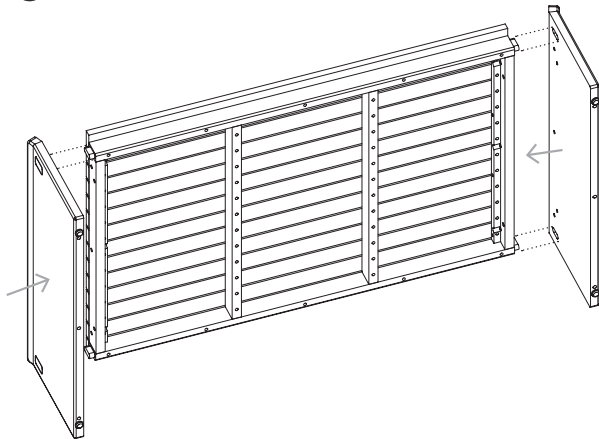


10x Spring Washer

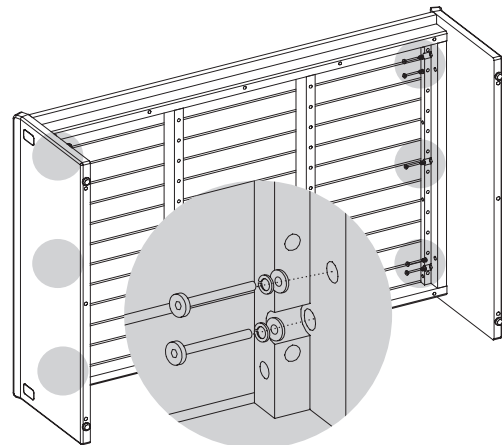


10x Flat Washer

1 Attach legs to top



2 Secure legs to top with five 45mm Hex Bolts, Spring Washers, and Flat washers on each side.



10x 45mm Hex Bolt
10x Spring Washer
10x Flat Washer

3 Stand table upright and your Coffee Table is complete!

